

Enclosures

Hinges

Locks

Handles

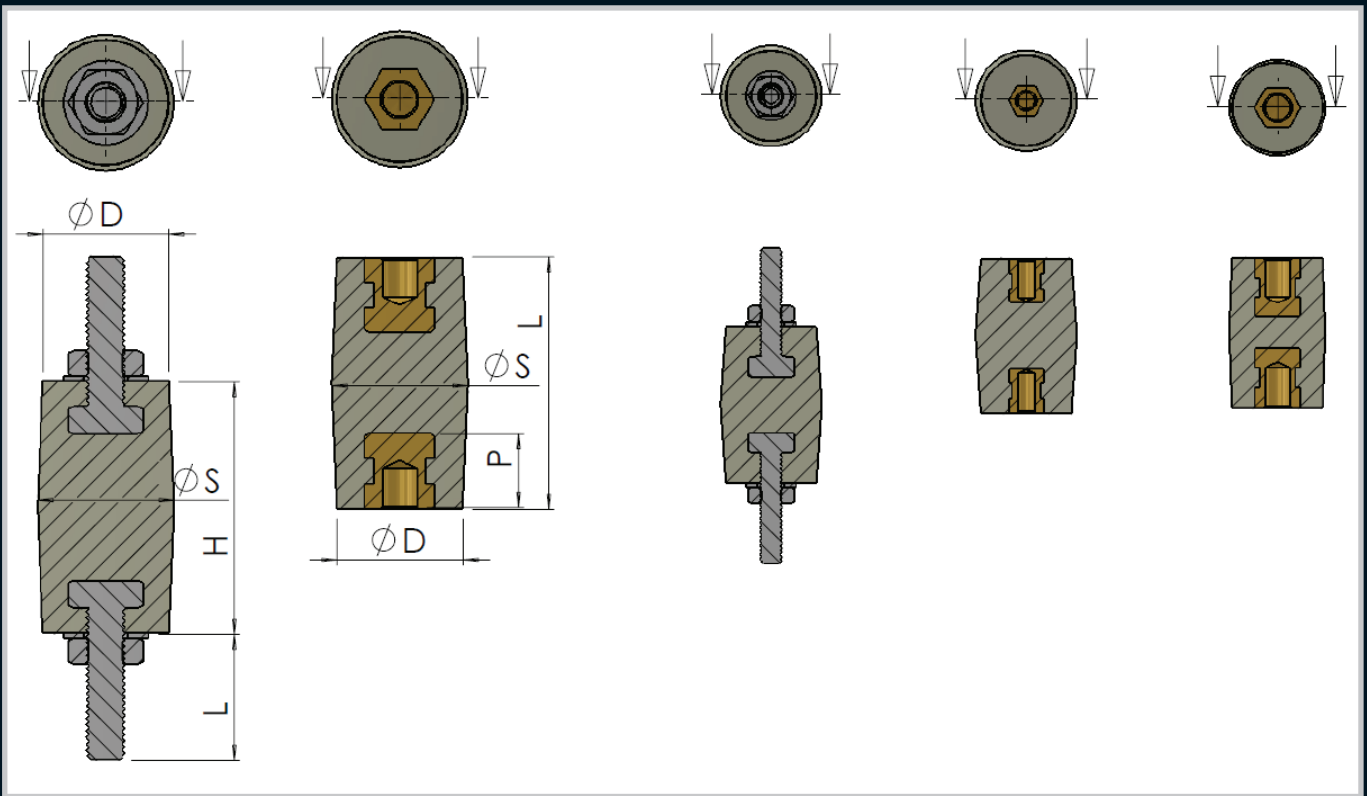
Accessories

Rotary Operating
Handles

Insulators

Transformer
Equipment

Index



Part Number	Type	Thread Size (mm)	Height H (mm)	Diameter D (mm)	Shed Diameter S (mm)	Stud Length L (mm)	Stud/Insert	Recommended Torque (N.m)	Insert Depth P (mm)
050-018	BL-8W	1,25	50	25	28	25	M8	10	-
050-017	BP-8W	1,25	50	25	28	-	M8	10	13
050-015	BP-5W	0,8	30	17	20	-	M5	4	8
050-015/BK	BP-5BK	0,8	30	17	20	-	M5	4	8
050-206	BP-6W	1	30	17	20	-	M6	6	11
050-206/BK	BP-6BK	1	30	17	20	-	M6	6	11
050-016	BL-5W	0,8	30	17	20	15	M5	4	-