

Enclosures

Hinges

Locks

Handles

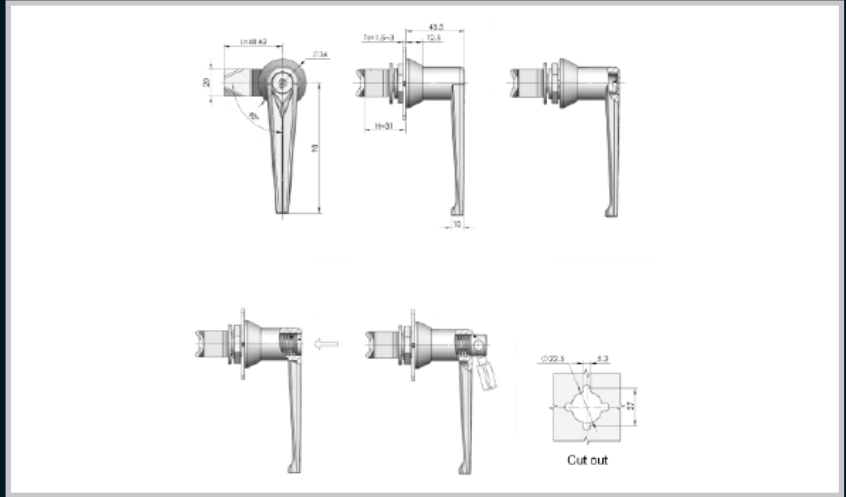
Accessories

Rotary Operating
Handles

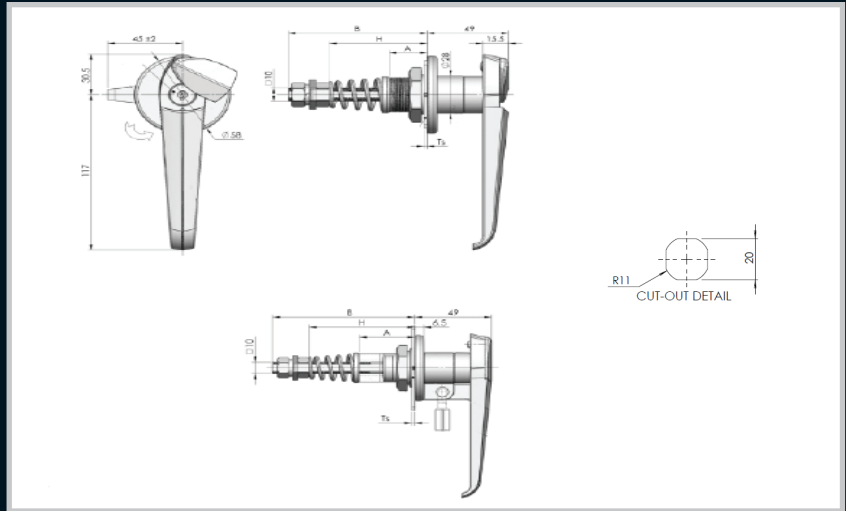
Insulators

Transformer
Equipment

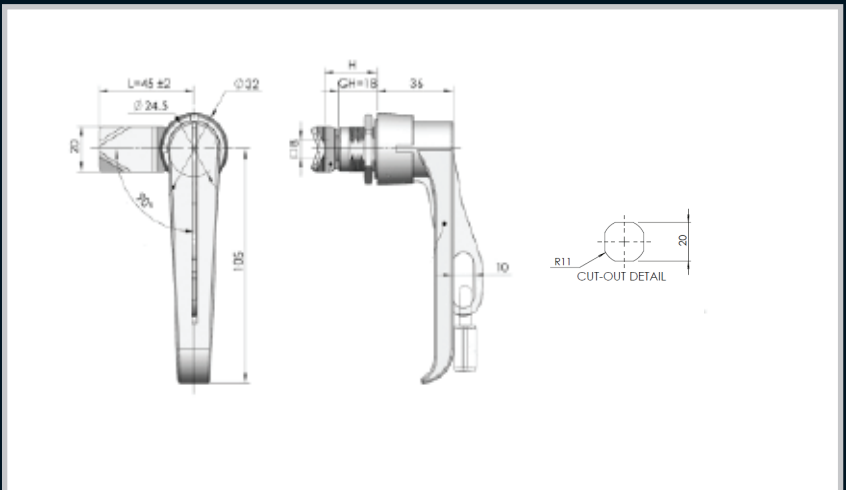
Index



Part Number	Description
22_3_19_K/C	Key lockable L-handle Chrome



Part Number	Description
27_3_45_K/D/C_C	Key lockable compression L-handle with dust cap adjustable depth, Chrome
27_3_45_K/DK_C	Key and Padlockable compression L-handle with dust cap, adjustable depth
27_3_45_K/D/C	Key lockable L-handle with dust cap 117mm, Chrome



Part Number	Description
22_3_105_25_PP/K	Padlockable L-handle , Chrome

Enclosures

Hinges

Locks

Handles

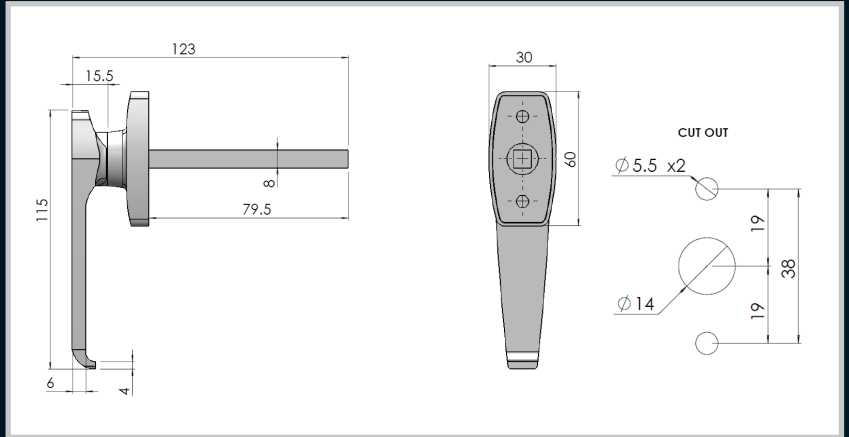
Accessories

Rotary Operating
Handles

Insulators

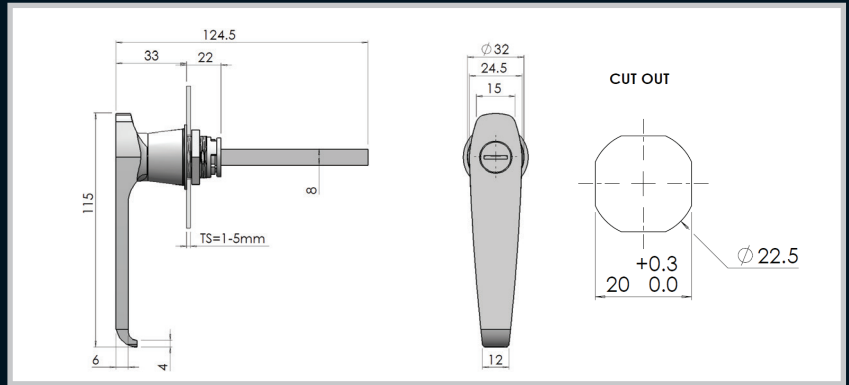
Transformer
Equipment

Index



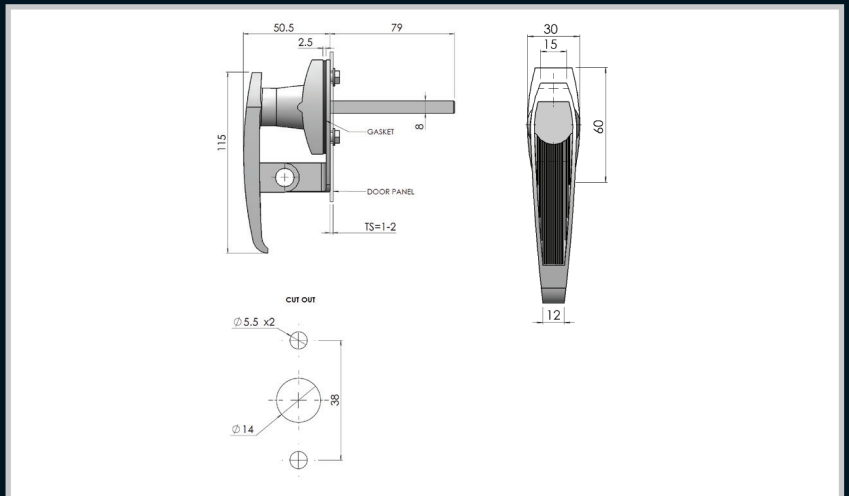
Remarks:
Key options:
Key 92268
Key CL001

Part Number	Description
12_L115S/92268	L-handle Chrome Locking Concealed Fix With Spindle
12_L115S/CL001	L-Handle Chrome Locking Concealed Fix With Spindle



Remarks:
Key options:
Key 92268
Key CL001

Part Number	Description
22_L115S/92268	L-handle Chrome Locking 1/4 Turn Fix With Spindle
22_L115S/CL001	L-Handle Chrome Locking 1/4 Turn Fix With Spindle

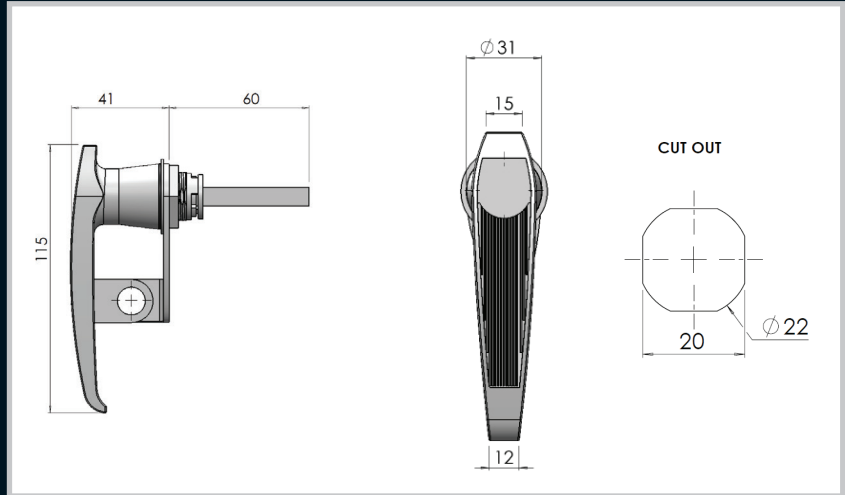


Remarks:
Movement options:
A/C - Anti-clockwise to unlock
C/W - Clockwise to unlock

Part Number	Description
12_L115SP/AC	L-Handle Padlockable Concealed Fix With Spindle A/C To Unlock
12_L115SP/CW	L-Handle Padlockable Concealed Fix With Spindle C/W To Unlock



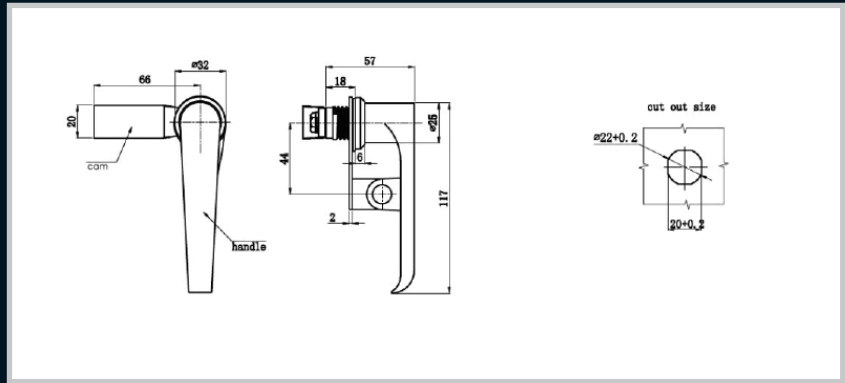
Remarks:
 Movement options:
 A/C - Anti-clockwise to unlock
 C/W - Clockwise to unlock



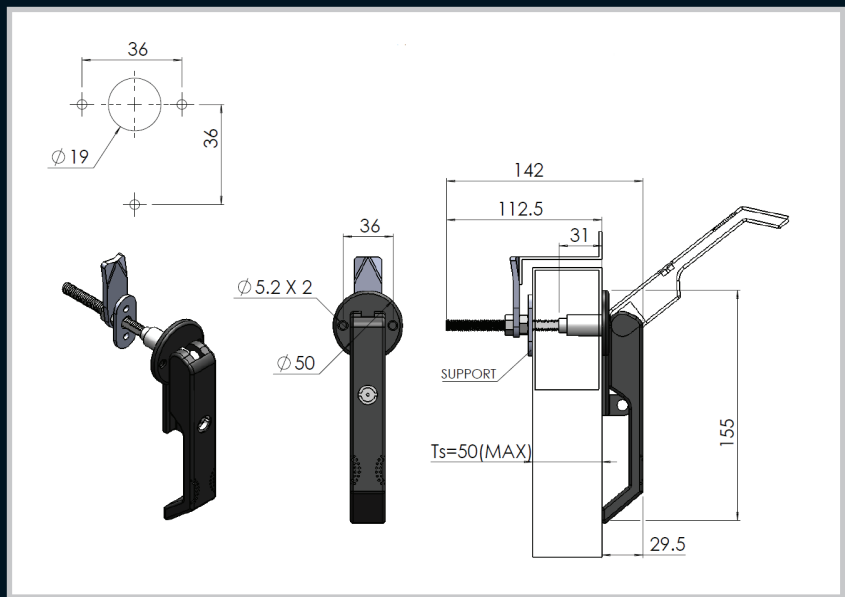
Part Number	Description
22_L115SP/AC	L-handle padlock 1/4 turn fix with spindle A/C to Unlock
22_L115SP/CW	L-handle padlock 1/4 turn fix with spindle C/W to Unlock



Remarks:
 Movement options:
 A/C - Anti-clockwise to unlock
 C/W - Clockwise to unlock



Part Number	Description
22_L115/92268/CAM	L-Handle Chrome Locking 1/4 Turn Fix No Spindle With Cam
22_L115P/CW/CAM	L-Handle Padlockable 1/4 Turn Fix No Spindle C/W To Unlock With Cam
22_L115P/AC/CAM	L-Handle Padlockable 1/4 Turn Fix No Spindle A/C To Unlock With Cam



Part Number	Description
19_3_112_P	Padlockable quarter-turn compression handle with double bit drive

Enclosures

Hinges

Locks

Handles

Accessories

Rotary Operating Handles

Insulators

Transformer Equipment

Index