

Enclosures

Hinges

Locks

Handles

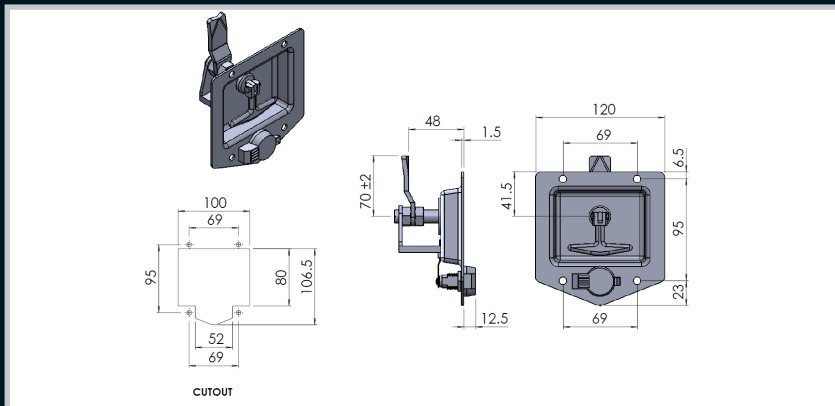
Accessories

Rotary Operating Handles

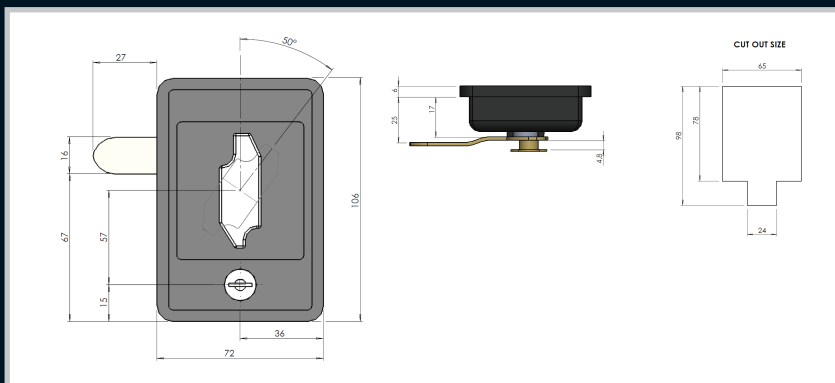
Insulators

Transformer Equipment

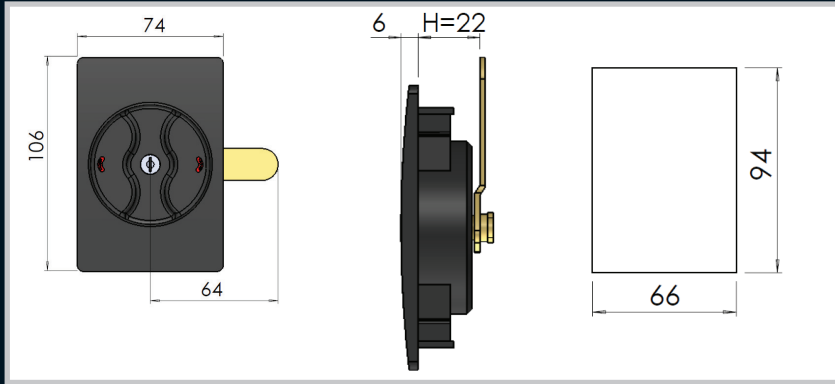
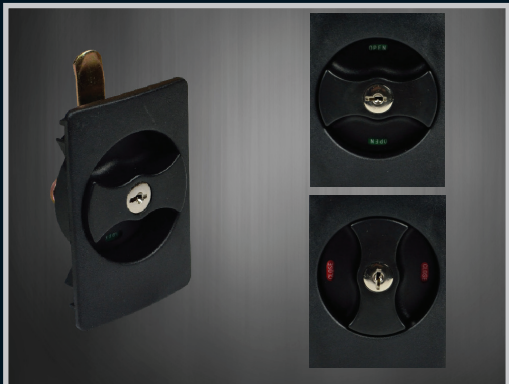
Index



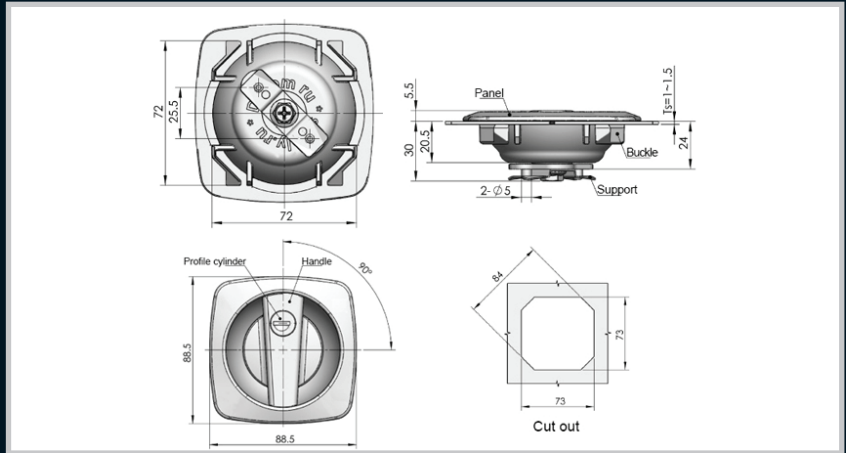
Part Number	Description
100_1_58_C/K	Key lockable flush adjustable paddle latch with T-handle , Chrome



Part Number	Description
96_1_15/92268	Black zinc flush handle keyed 92268
96_1_15/CL001	Black zinc flush handle keyed CL001



Part Number	Description
115_1_105/92268	Black plastic flush handle keyed 92268
115_1_105/CL001	Black plastic flush handle keyed CL001



Part Number	Description
84_1_30_B/K	Black PA housing and handle, zinc plated steel support

- Enclosures
- Hinges
- Locks
- Handles**
- Accessories
- Rotary Operating Handles
- Insulators
- Transformer Equipment
- Index