

Enclosures

Material	DMC (Dough Moulding Compound)			
Operating Temperature	-50° C to + 200° C			
Glow Wire Capability / Flammability	960° / UL94 V0			
Expected UV Life (Direct Exposure)	25 years +			
IP Level	IP66			
Security Level	1	2	3	4

Hinges

Allbro has launched the very first camera enclosure of its kind. Designed and made in South Africa the Camera-Nest addresses the unique challenges of this application in a manner that has never been done before. Once one lays eyes upon Allbro's new "Camera Nest" it becomes difficult to even call the new invention a camera box.

Locks

Handles

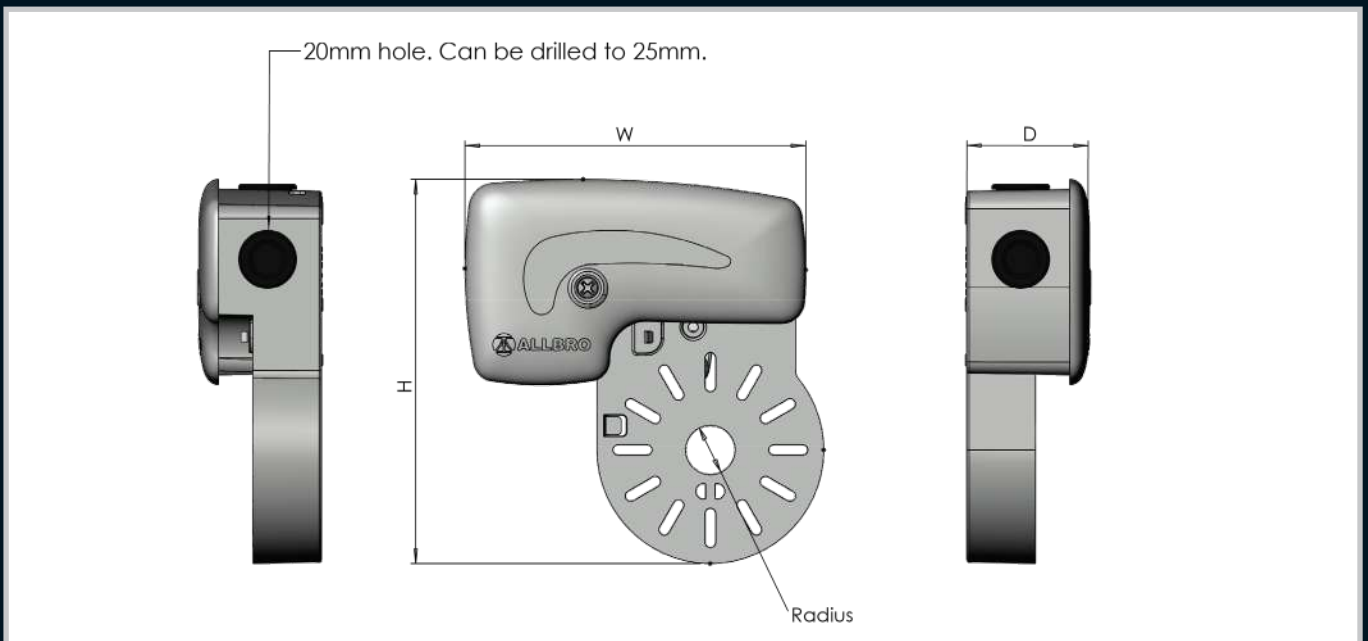
Accessories



Rotary Operating Handles

Insulators

Transformer Equipment



Index

Part Number	Description	H (mm)	W (mm)	D (mm)	Radius (mm)
040-958	Camera-Nest Complete 90mm	156	139	51	20
040-977	Camera-Nest Complete 110mm	174	139	51	53.3

INSTALLATION:



Step 1: Mount the camera on the Camera-Nest™ whilst safely on the ground



Step 2: Mount bracket on the wall.
(NB 6mm Screw/Plug Not Included)

NOTE: RECOMMENDED TORQUE FOR LID & MOUNTING BRACKET SCREWS - 1,5Nm --> 2,5Nm



Step 3: Hook unit on the bracket and test/adjust the camera with a tester. All Connections accessible remain.

Step 4: Connect camera wires and close the unit with the cap. The Camera nest is IP 66 and has a UV Life of 25 years

Step 1 continued:

① Place camera onto the Camera-Nest™. Pull the camera cables through the hole in the middle of the base.



② Place Allbro stretch grommet over the camera fitting.



Allbro grommet stretches over most camera fittings

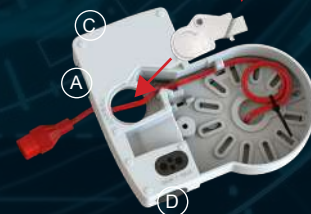
③ Cable tie the cable (A) and feed the rest of the fitting through opening (B).



④ Place grommet back to secure cable in place and protect the cabling from water seeping in.



⑤ Close the opening in STEP 3 with cap provided.



⚠ Please Note:

* Outer blank plugs (A, B & C) can be removed where applicable for cable glands of conduit fittings.

These blanks are NOT intended for use as cable grommets.



Diameter size up to 90mm

Diameter size up to 110mm

CAMERA-NEST™ IS AVAILABLE IN TWO SIZES

Designed to accommodate most camera brands & sizes!

Enclosures

Hinges

Locks

Handles

Accessories

Rotary Operating Handles

Insulators

Transformer Equipment

Index