

Enclosures

Hinges

Locks

Handles

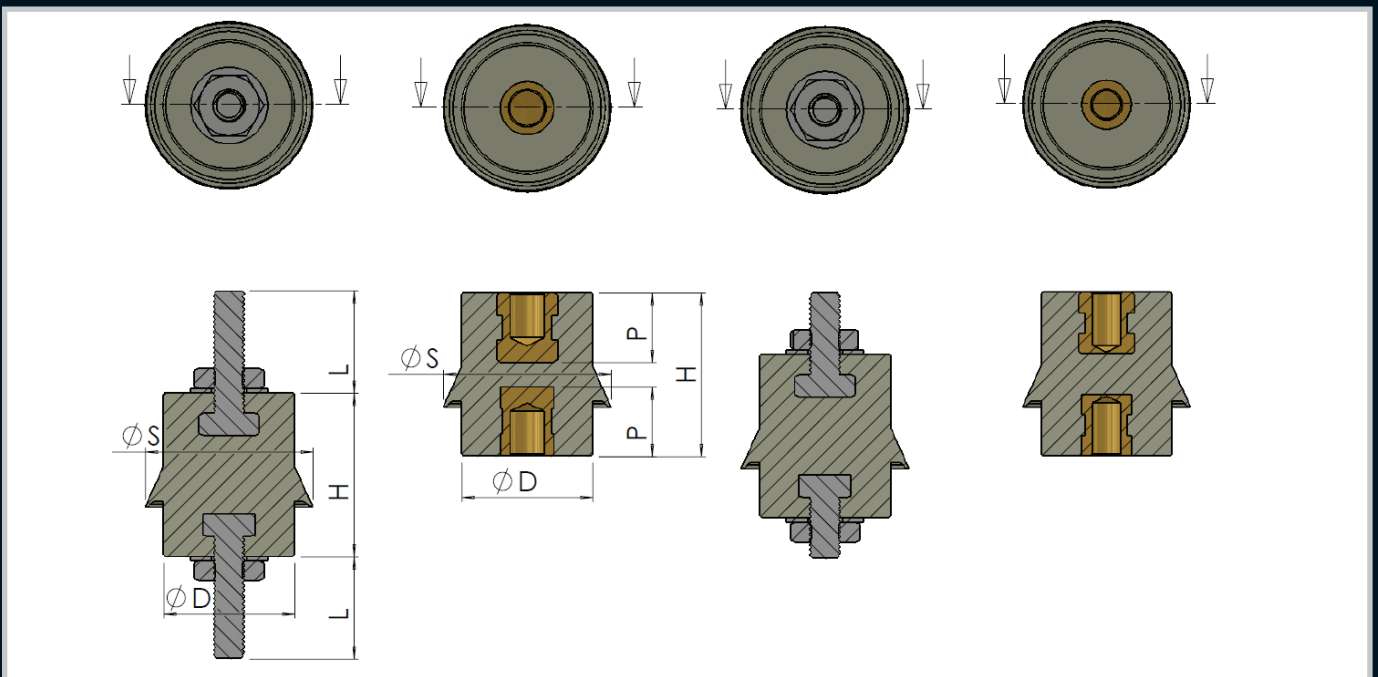
Accessories

Rotary Operating
Handles

Insulators

Transformer
Equipment

Index



Part Number	Type	Thread Size (mm)	Recommended Torque (N.m)	H (mm)	D (mm)	Shed Diameter (mm)	Stud Length L (mm)	Insert Depth P (mm)	Stud/Insert
050-028	VP-8/W	1,25	10	40	30	41	-	11	M8
050-077	VP-8/R	1,25	10	40	30	41	-	11	M8
050-078	VP-8/BL	1,25	10	40	30	41	-	11	M8
050-079	VP-8/BK	1,25	10	40	30	41	-	11	M8
050-029	VL-8/W	1,25	10	40	30	41	25	-	M8
050-080	VL-8/R	1,25	10	40	30	41	25	-	M8
050-081	VL-8/BL	1,25	10	40	30	41	25	-	M8
050-082	VL-8/BK	1,25	10	40	30	41	25	-	M8
050-224	VP-10/W	1,5	12	40	30	41	-	16	M10