

Enclosures

Hinges

Locks

Handles

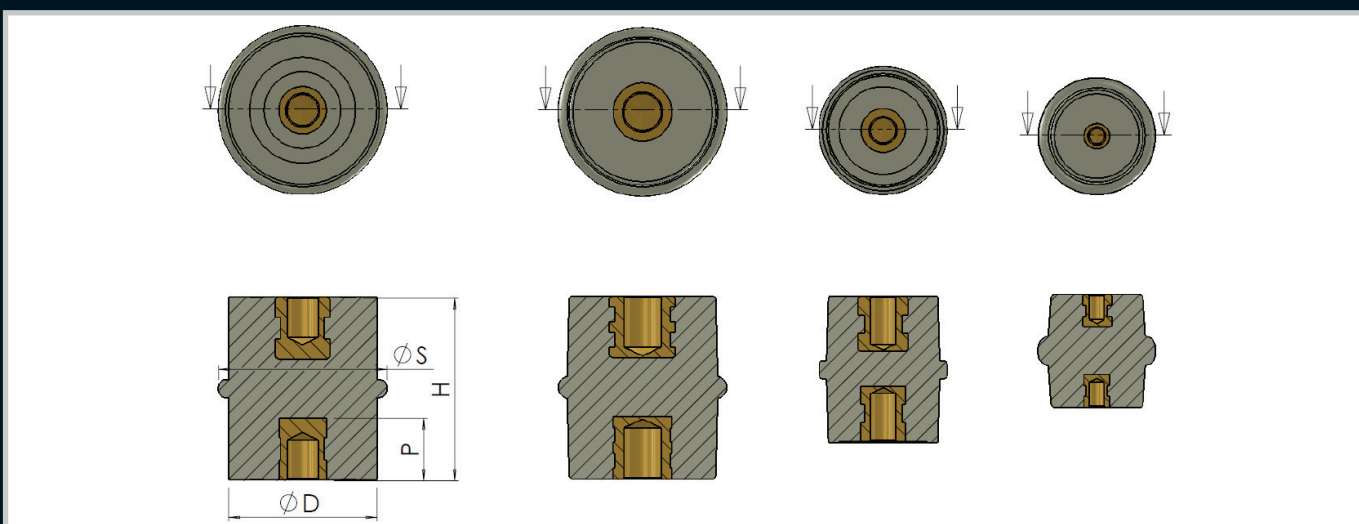
Accessories

Rotary Operating
Handles

Insulators

Transformer
Equipment

Index



Part Number	Type	Thread Size (mm)	Recommended Torque (N.m)	Insert	H (mm)	D (mm)	Shed Diameter D (mm)	Stud Length L (mm)	Insert Depth P (mm)
050-099	CP-6/W	1	6	M6	31	25	30	-	11
050-190	CP-8/W	1,25	10	M8	41	30	35	-	13
050-191	CP-10/W	1,5	12	M10	50	40	45	-	12
050-305	CP-10/R	1,5	12	M10	50	40	45	-	12
050-325	CP-10/BK	1,5	12	M10	50	40	45	-	12
050-326	CP-10/BL	1,5	12	M10	50	40	45	-	12
050-194	CP-10/12	1,5 / 1,75	12 / 16	M10 / M12	50	45	45	-	16
050-192	CP-12/W	1,75	12	M12	60	45	60	-	16
050-195	CP-12/10	1,5 / 1,75	12 / 16	M10 / M12	60	45	60	-	15
050-193	CP-16/W	2	16	M16	60	45	60	-	20