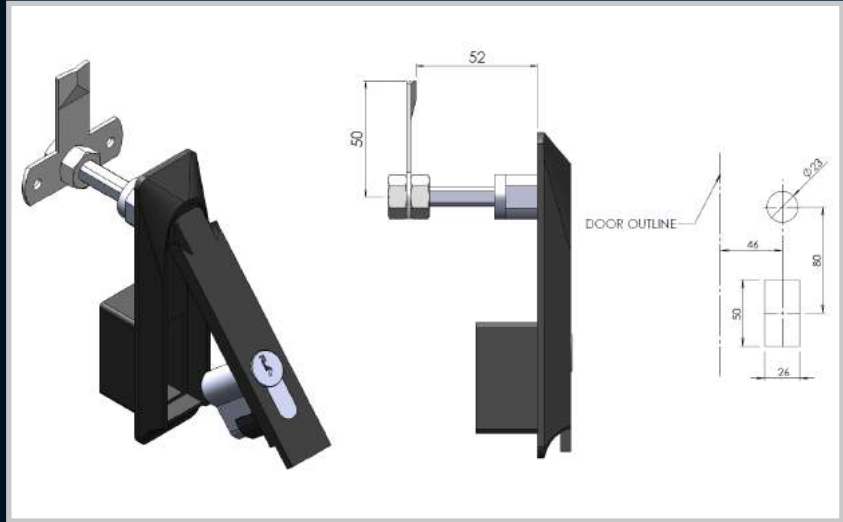




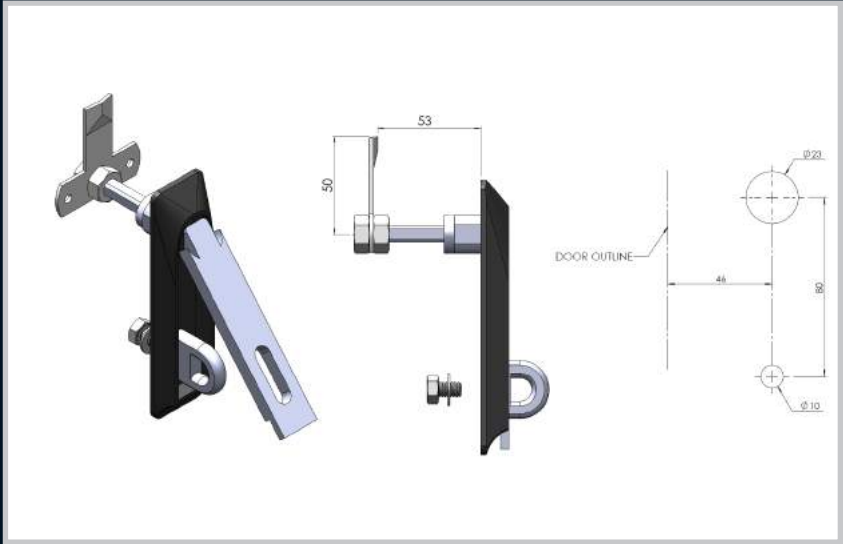
Remarks:
Available in 4 finishes, black base with black handle, black base with chrome handle, complete chrome, stainless steel.



Part Number	Description
10111KZK190	ZDC body with M/S cam shaft
10111KZK191	ZDC body with M/S cam shaft
10111KZK192	ZDC body with M/S cam shaft
10111KZK193	ZDC body with M/S cam shaft
10111KZK194	ZDC body with M/S cam shaft
10111KZK195	ZDC body with M/S cam shaft



Remarks:
Available in 4 finishes, black base with black handle, black base with chrome handle, complete chrome, stainless steel.



Part Number	Description	Material and Finish
10111P	Flush padlockable swing handle with 3 point locking cam	ZDC body with M/S cam shaft
10111PB	Flush padlockable swing handle with 3 point locking cam	Black Base with Black Handle
10111PB/C	Flush padlockable swing handle with 3 point locking cam	Black Base with Chrome Handle
10111PC	Flush padlockable swing handle with 3 point locking cam	Complete Chrome
10111PS/S	Flush padlockable swing handle with 3 point locking cam	Stainless Steel

Enclosures

Hinges

Locks

Handles

Accessories

Rotary Operating Handles

Insulators

Transformer Equipment

Index

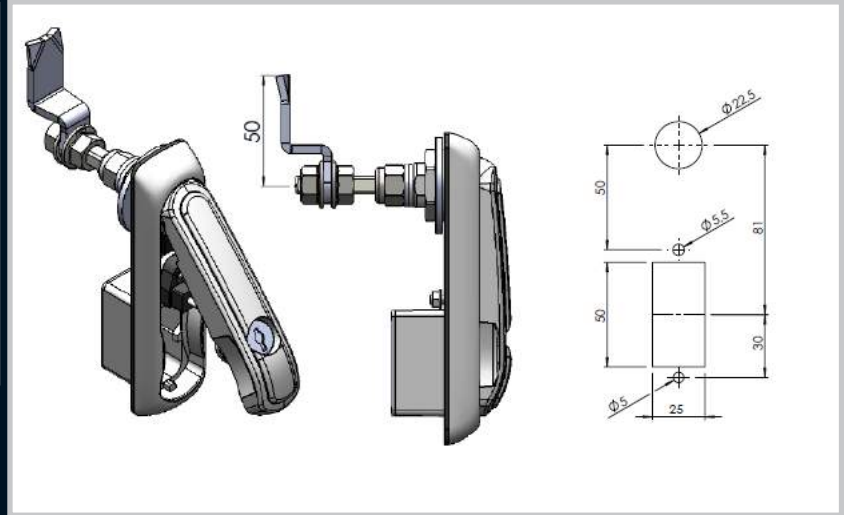
Swing Handles

New Akira Range



Enclosures

Hinges



Remarks:

AKIRA LOCKING SWING HANDLES

- Quality chrome plated and superior 316 grade stainless steel models available.
- Standard 92268 and CL001 barrel types.
- Half-Euro cylinder types in 92268 & CL001 key.
- Sleek, modern styling.
- Smooth, user friendly operation with snap shut Anti-tamper and Anti-vibration system.

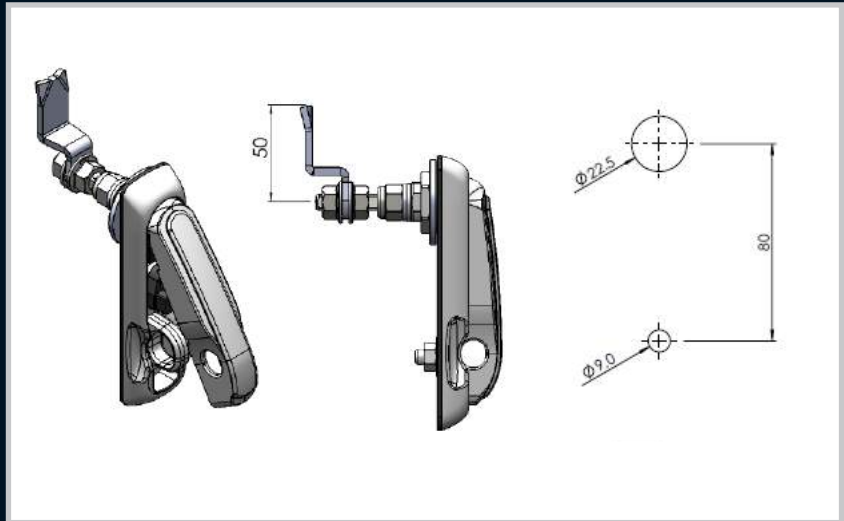
Locks

Handles

Part Number	Description
10222KC/CL001	Chrome swing handle locking with standard CL001 barrel
10222KC/92268	Chrome swing handle locking with standard 92268 barrel
10222KSSHEC	316 Stainless steel swing handle locking with Half-Euro cylinder Key 92268 and CL001 available
10222KHEC	Chrome swing handle locking with Half-Euro cylinder. Key 92268 and CL001 available

Accessories

Rotary Operating Handles



Remarks:

AKIRA PADLOCKING SWING HANDLES

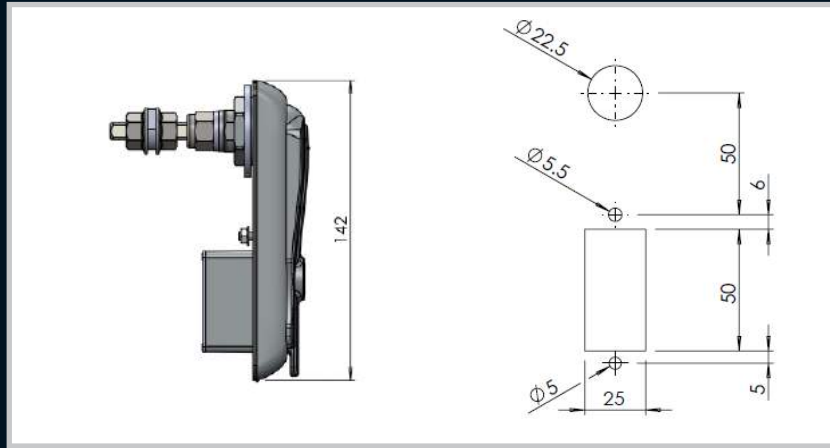
- Quality chrome plated and superior 316 grade stainless steel models available.
- Sleek modern styling with concealed padlock Hasp for added security.
- Smooth, user friendly operation with snap shut Anti-tamper and Anti-vibration system.

Insulators

Transformer Equipment

Part Number	Description
10222PS/S	316 Stainless steel swing handle padlockable
10222PC	Chrome swing handle padlockable
10222PB	Padlockable swing handle with black finish

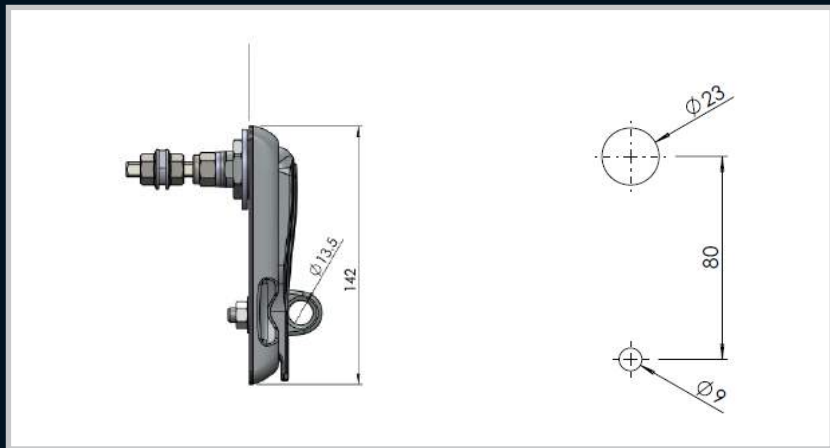
Index



Remarks:

- Quality chrome plated and superior 316 grade stainless steel models available.
- Standard 92268 and CL001 barrel types.
- Half-Euro cylinder types in 92268 & CL001 key.
- Sleek, modern styling.
- Smooth, user friendly operation with snap shut Anti-tamper and Anti-vibration system.

Part Number	Description
10333K/CL001	Chrome swing handle locking with standard CL001 barrel
10333K/92268	Chrome swing handle locking with standard 92268 barrel



Remarks:

- Quality chrome plated and superior 316 grade stainless steel models available.
- Smooth, user friendly operation with snap shut Anti-tamper and Anti-vibration system.

Part Number	Description
10333PC	Chrome swing handle padlockable
10333PB	Padlockable swing handle with black finish
10333PS/S	316 Stainless steel swing handle padlockable

Enclosures

Hinges

Locks

Handles

Accessories

Rotary Operating Handles

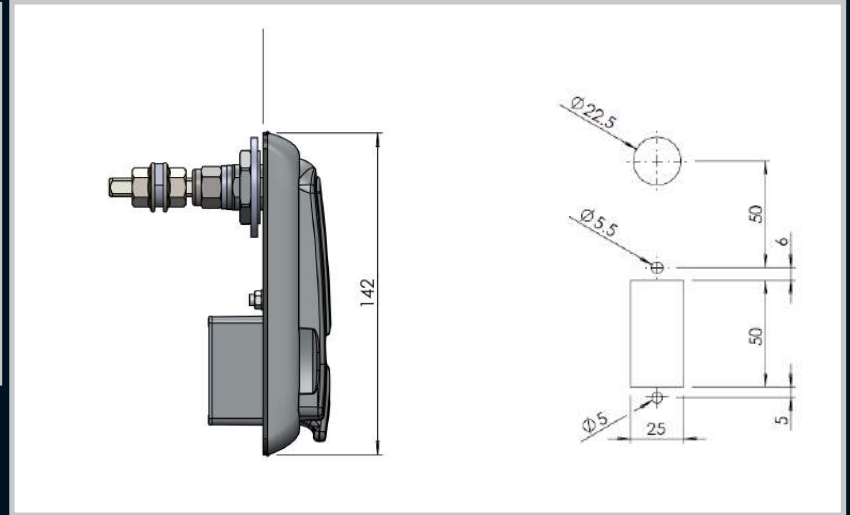
Insulators

Transformer Equipment

Index

Enclosures

Hinges



Remarks:

- Quality chrome plated and superior 316 grade stainless steel models available.
- Standard 92268 and CL001 barrel types.
- Half-Euro cylinder types in 92268 & CL001 key.
- Sleek, modern styling.
- Smooth, user friendly operation with snap shut Anti-tamper and Anti-vibration system.

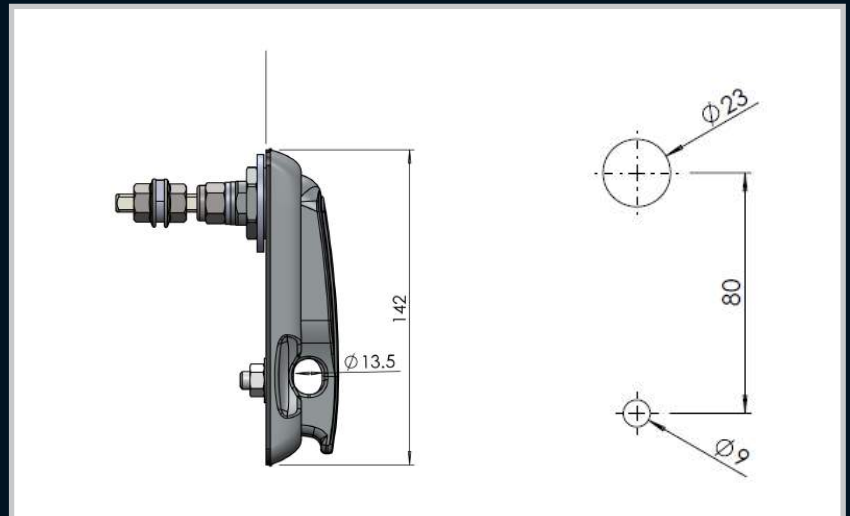
Locks

Handles

Part Number	Description
10444KSSHEC/CL001	316 Stainless steel swing handle locking with Half-Euro cylinder with CL001 barrel
10444SSHEC/92268	316 Stainless steel swing handle locking with Half-Euro cylinder with 92268 barrel
10444KHEC/CL001	Chrome swing handle locking with Half-Euro cylinder with CL001 barrel
10444KHEC/92268	Chrome swing handle locking with Half-Euro cylinder with 92268 barrel
10444K/WOC	Chrome swing handle Half-Euro with no cylinder
10444S/SWOC	316 Stainless steel swing handle Half-Euro with no cylinder

Accessories

Rotary Operating Handles



Remarks:

- Quality chrome plated and superior 316 grade stainless steel models available.
- Sleek modern styling with concealed padlock Hasp for added security.
- Smooth, user friendly operation with snap shut Anti-tamper and Anti-vibration system.

Insulators

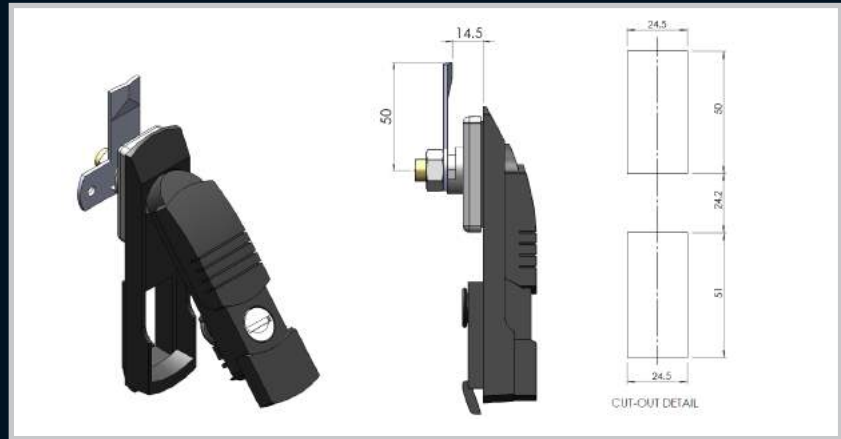
Transformer Equipment

Part Number	Description
10444PC	Chrome swing handle padlockable
10444PB	Padlockable swing handle with black finish
10444PS/S	316 Stainless steel swing handle padlockable

Index



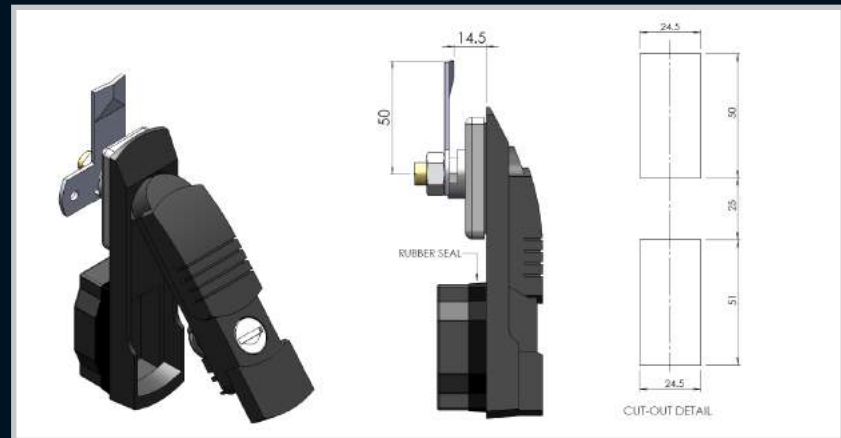
Remarks:
Quick Assembly swing handle.
Available in key alike and key different.



Part Number	Material and Finish	Description
FNSH/HOOK/SK	Nylon Matt Black	Swing handle with profile cylinder, slide dust cap and hook for quick fitment
FNSH/HOOK/DK	Nylon Matt Black	Swing handle with profile cylinder, slide dust cap and hook for quick fitment



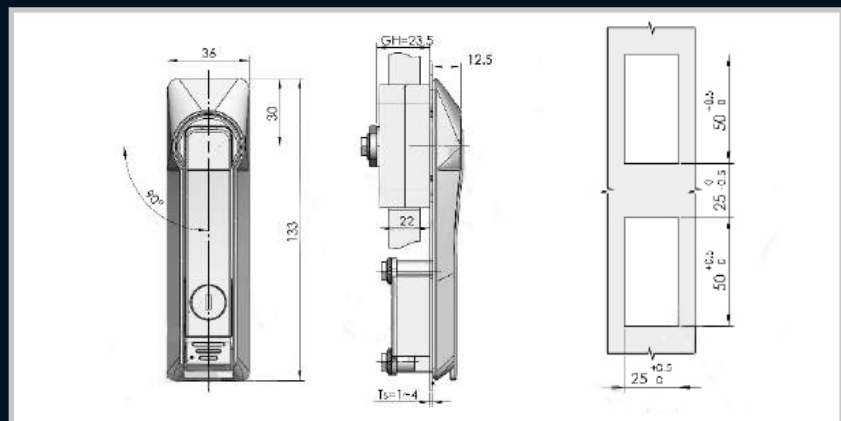
Remarks:
IP65 swing handle.
Available in key alike and key different.



Part Number	Material and Finish	Description
FNSH/65	Nylon Matt black	Swing handle with profile cylinder, slide dust cap and rubber gasket with cap for IP65 rating



Remarks:
Available in key alike and key different.
For key different option add "D" to part number



Part Number	Description
50.2.23.P.B/K	Key lockable flush swing handle with push button , Black
50.2.23.P.B/K-92268	Key lockable flush swing handle with push button , Black
50.2.23.P.C/K	Key lockable flush swing handle with push button , Chrome
50.2.23.B/K	Key lockable swing handle 90 degree rotation , Black
50.2.23.C/K	Key lockable swing handle 90 degree rotation , Chrome

Enclosures

Hinges

Locks

Handles

Accessories

Rotary Operating
Handles

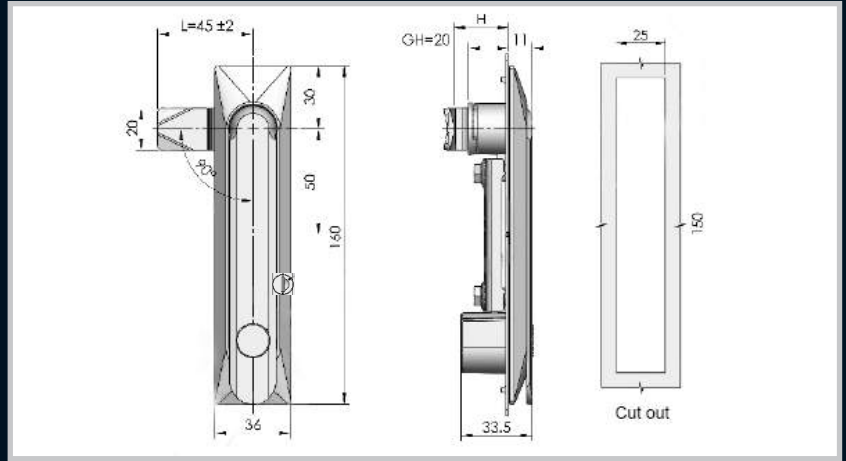
Insulators

Transformer
Equipment

Index

Enclosures

Hinges

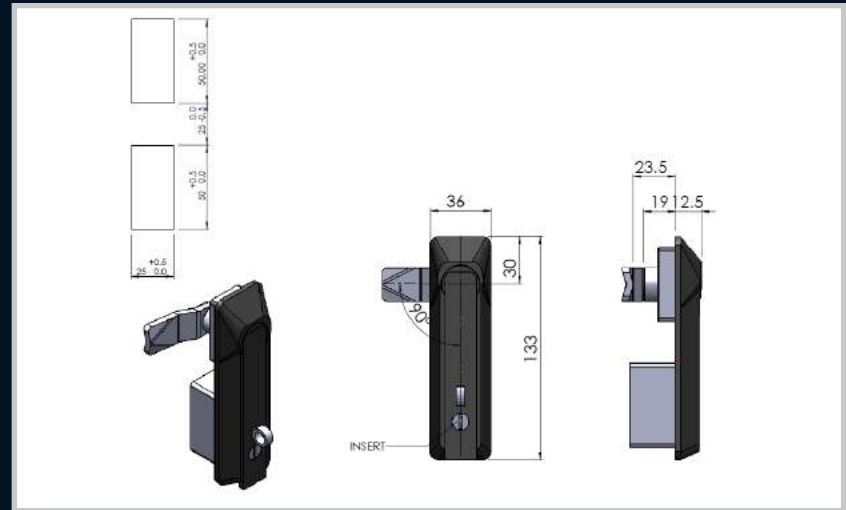


Remarks:
Available in key alike and key different.
For key different option add "D" to part number

Locks

Part Number	Description
150.2.20.B/K	Key lockable swing handle, Black

Handles

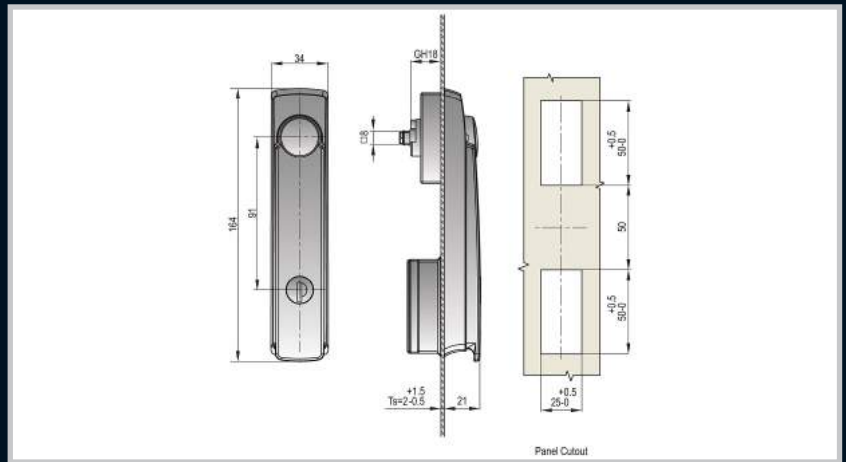


Accessories

Part Number	Description
50.4.23.B/P	Padlockable swing handle Black powder coated ZDC
50.4.23.PS/S	Padlockable swing handle full stainless steel

Rotary Operating Handles

Insulators



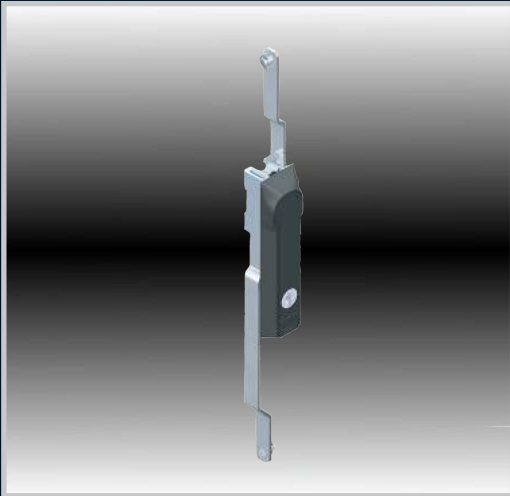
Remarks:
Available in key alike and key different.
For key different option add "D" to part number

Transformer Equipment

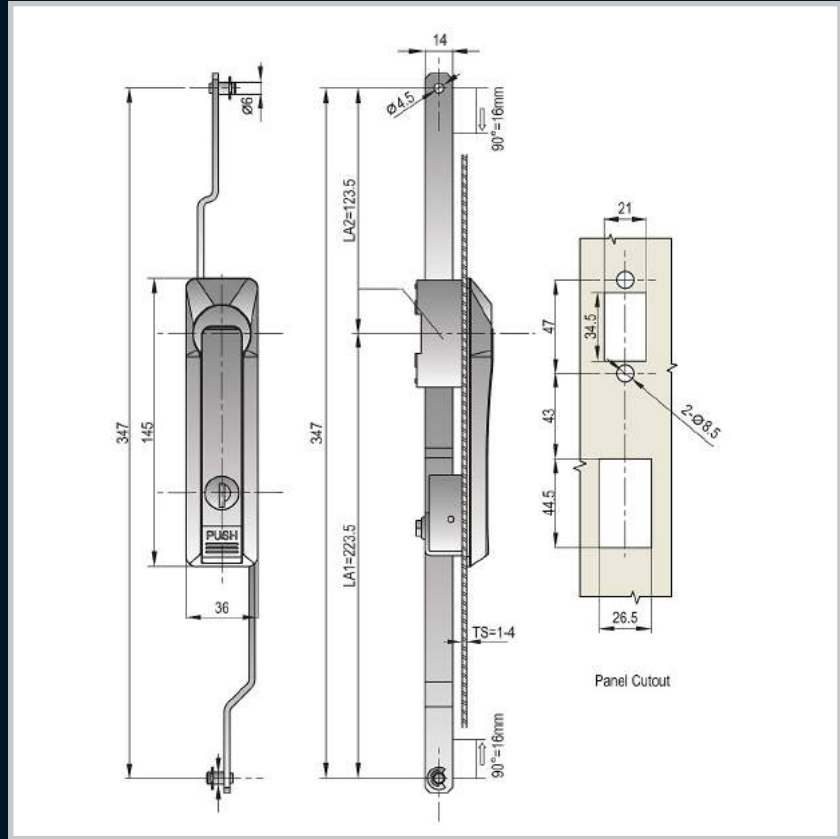
Part Number	Description
164.1.50.N/K	Nylon body and handle , key lockable
164.1.50.ZN/K	Nylon body and Zinc die handle, key lockable

Index

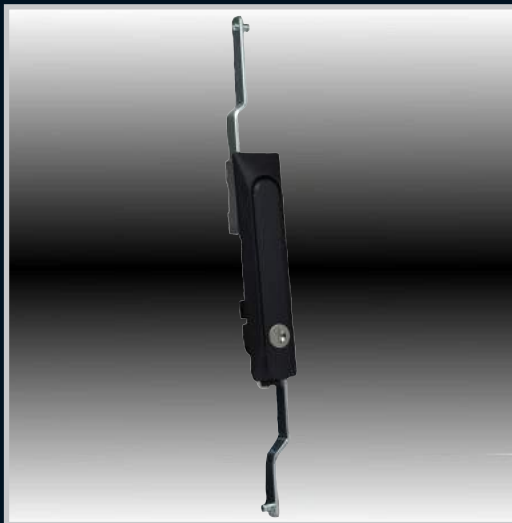
Swing Handles



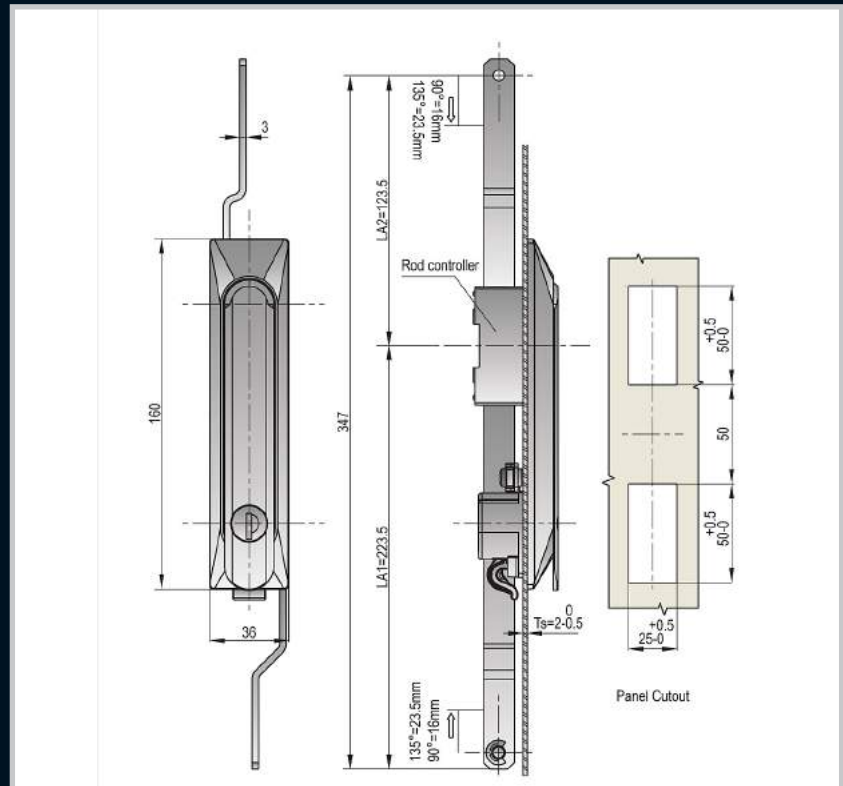
Remarks:
Available in key alike and key different.
For key different option add "D" to part number



Part Number	Description
145.1.47.CK/RLS	Chrome, key lockable
145.1.47.BK/RLS	Black powder coated, key lockable



Remarks:
Available in key alike and key different.
For key different option add "D" to part number



Part Number	Description
160.1.50.BK/RLS	Black powder coated , Key lockable

Enclosures

Hinges

Locks

Handles

Accessories

Rotary Operating
Handles

Insulators

Transformer
Equipment

Index

Enclosures

Hinges

Locks

Handles

Accessories

Rotary Operating
Handles

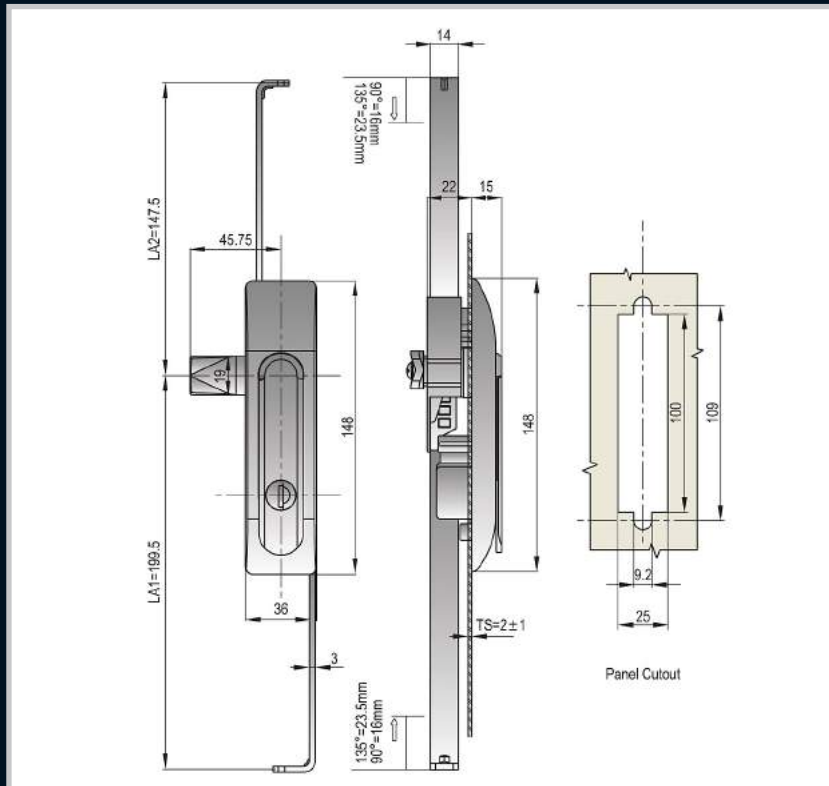
Insulators

Transformer
Equipment

Index



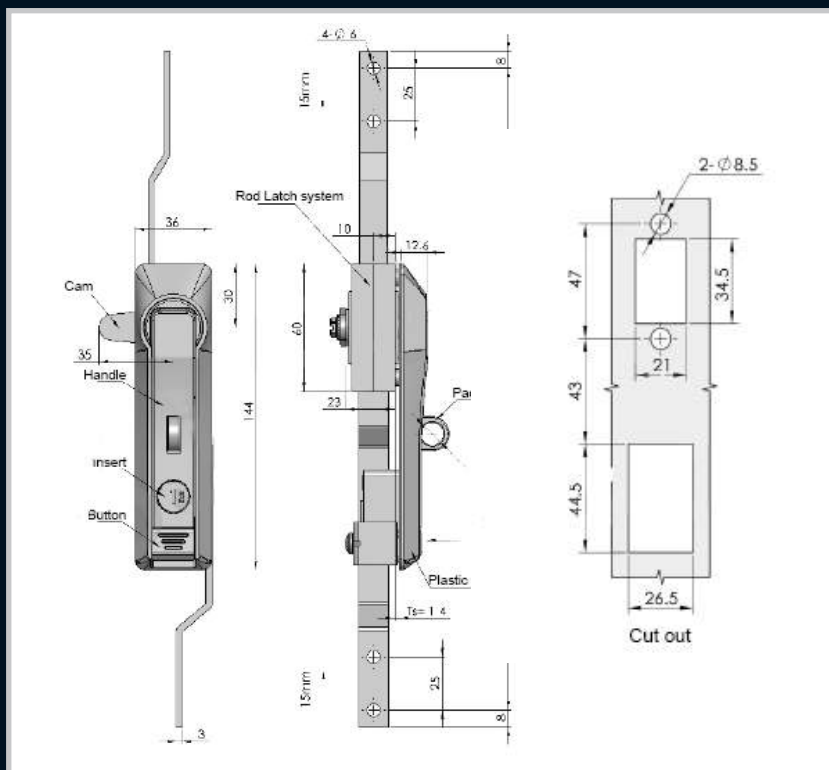
Remarks:
Available in key alike and key different.
For key different option add "D" to part
number



Part Number	Description
148.1.109.BK/RLS	Black powder coated, key lockable



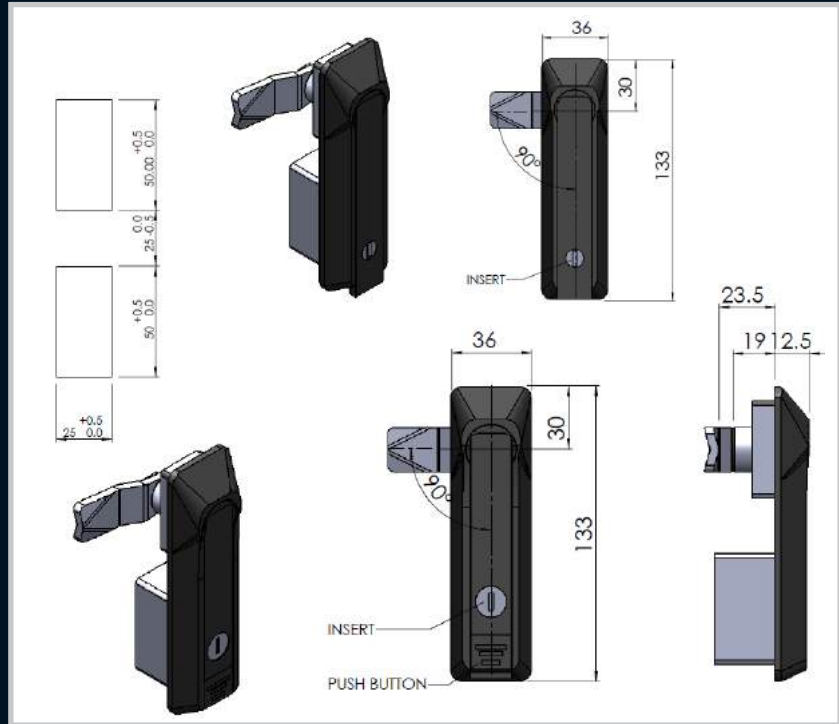
Remarks:
Available in key alike and key different.
For key different option add "D" to part
number



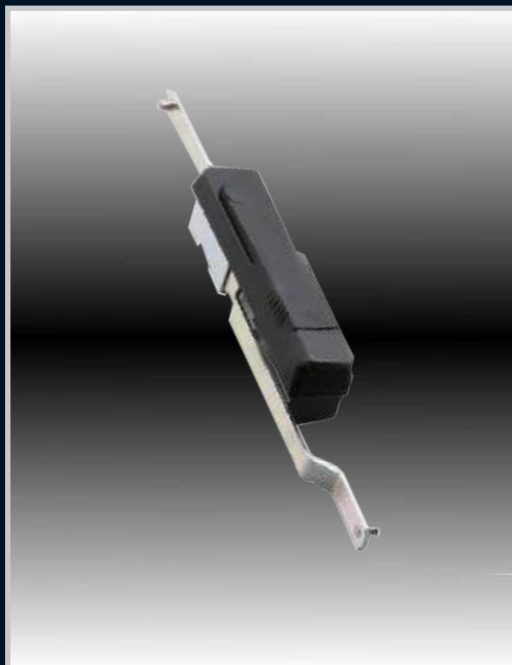
Part Number	Description
44.2.01.K/RLS	3 point rod latch system, key lockable swing handle ZDC (without padlock)
44.3.01.K/RLS	3 point rod latch system, key lockable swing handle ZDC (with padlock)



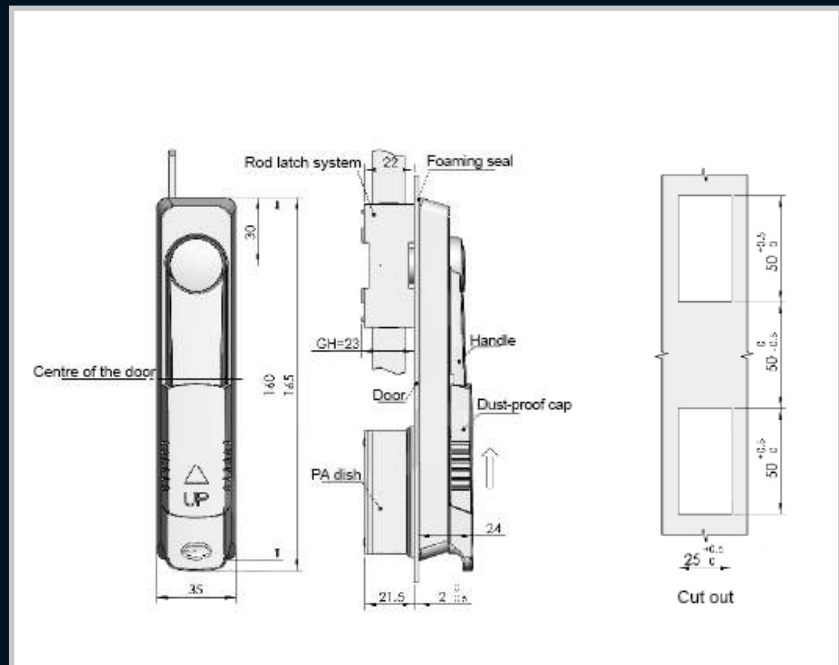
Remarks:
Available in key alike and key different.
For key different option add "D" to part number



Part Number	Description
50.2.19.B/RL	Swing handle Black ZDC, with button, optional rod latch system
50.2.19.WB/RL	Swing handle Black ZDC, without button, optional rod latch system
50.2.19.WB	Swing handle Black ZDC, without button
50.2.19.B	Swing handle Black ZDC, with button



Remarks:
Available in key alike and key different.
For key different option add "D" to part number



Part Number	Description
50.2.165.K/RL	Swing handle Black, PA, key lockable with rod latch system

Enclosures

Hinges

Locks

Handles

Accessories

Rotary Operating Handles

Insulators

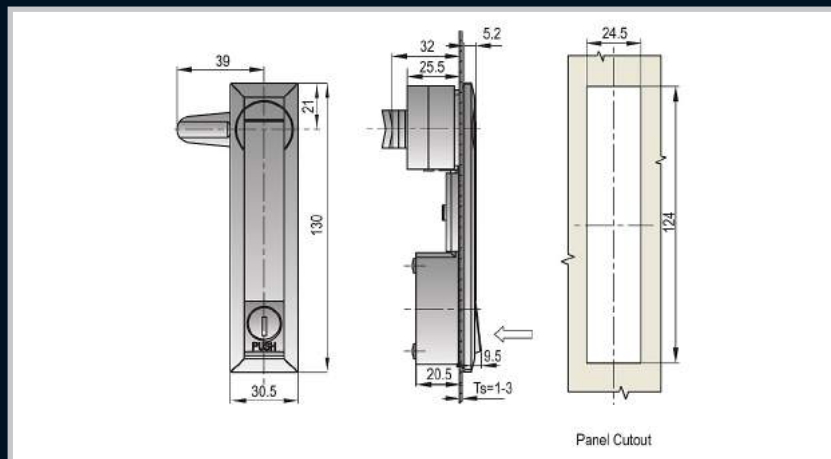
Transformer Equipment

Index

Enclosures



Hinges



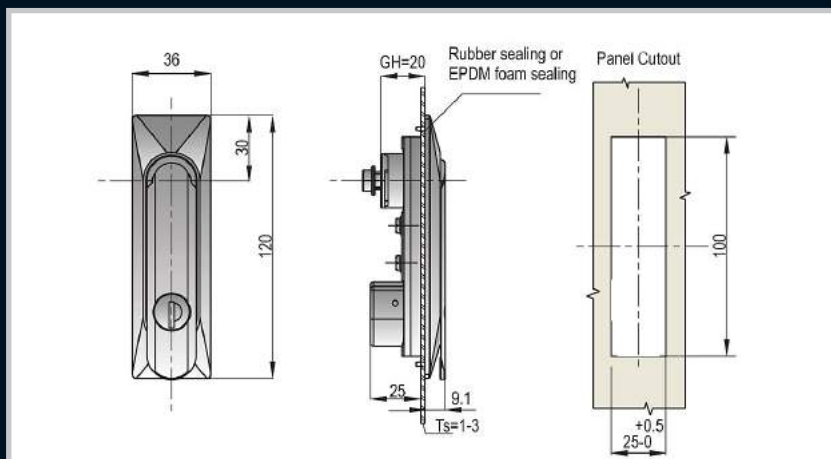
Remarks:

Available in key alike and key different. For key different option add "D" to part number

Locks

Part Number	Description
130.1.124CK	Chrome, key lockable
130.1.124BK	Black powder coated, key lockable

Handles



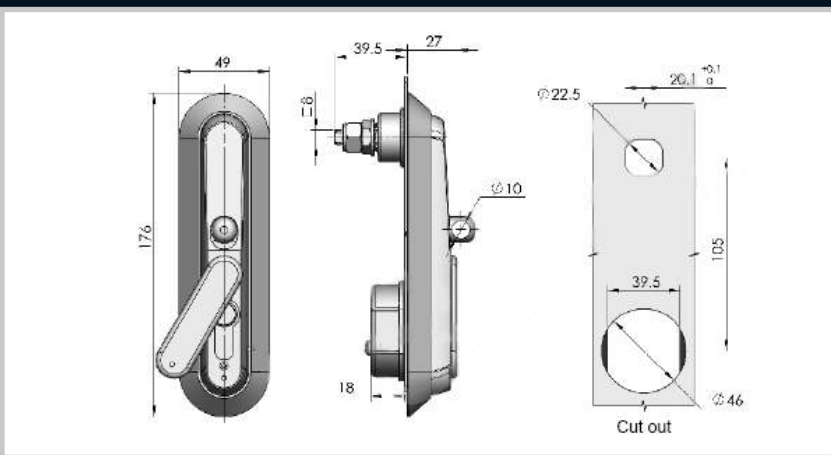
Remarks:

Available in key alike and key different. For key different option add "D" to part number

Accessories

Part Number	Description
120.1.100.ZN/BK	Zinc handle with Nylon housing, key lockable
120.1.100.Z/BK	Full Zinc, key lockable

Rotary Operating Handles



Remarks:

Available in key alike and key different. For key different option add "D" to part number

Insulators

Transformer Equipment

Part Number	Description
46.3.39.Z/P	ZDC handle and housing (with padlock)
46.2.39.PA	ZDC handle and PA housing (without padlock)
46.3.39.PA/P	ZDC handle and PA housing (with padlock)

Index