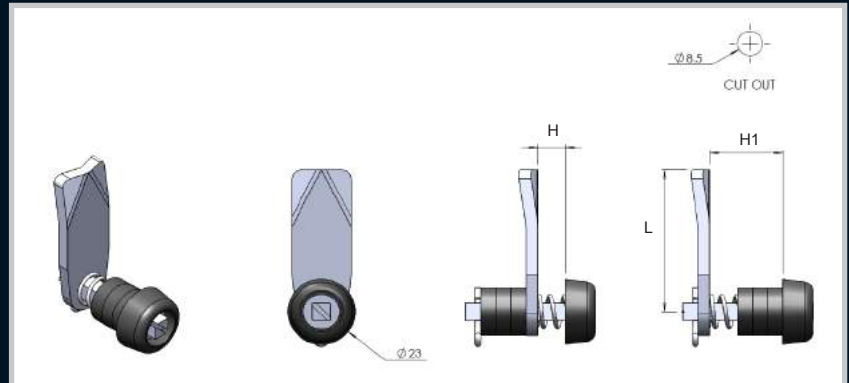


Enclosures

Spring Loaded Locks

Hinges

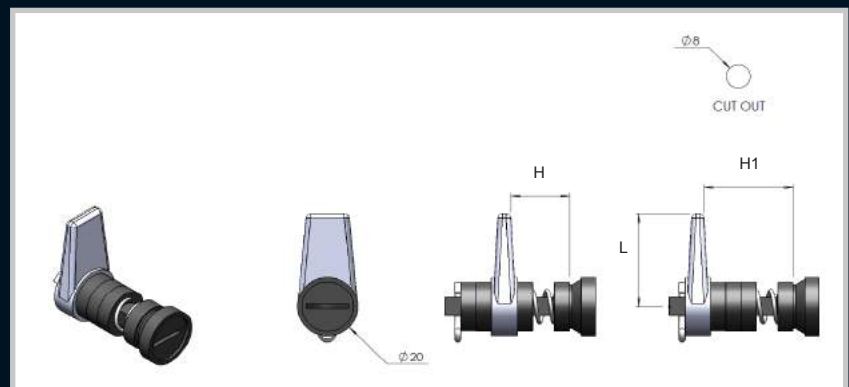


Locks

Remarks:
Spring loaded latch with adjustable depths.

Part Number	Material	Insert Type	Insert size (mm)	H (mm)	H1 (mm)	L (mm)
222309	Polyamide body, Mild steel shaft and cam	Square	6	8	25	34

Handles



Accessories

Remarks:
Spring loaded coin lock with adjustable depths.

Part Number	Material	Insert Type	Insert size (mm)	H (mm)	H1 (mm)	L (mm)
8.5.271.01N	Polyamide body, Mild steel shaft and cam	Coin Slot	8	5	13	30
8.5.371.01N	Polyamide body, Mild steel shaft and cam	Coin Slot	8	5	23	30
8.5.271.04Z/N	Polyamide body, Mild steel shaft and cam	Coin Slot	8	1.5	27	34
8.5.371.04Z/N	Polyamide body, Mild steel shaft and cam	Coin Slot	8	1.5	37	34
8.5.271.05Z/N	Polyamide body, Mild steel shaft and cam	Coin Slot	8	1.5	27	48
8.5.371.05Z/N	Polyamide body, Mild steel shaft and cam	Coin Slot	8	1.5	37	48
8.5.271.06	Polyamide body, Mild steel shaft and cam	Coin Slot	8	4	28	49
8.5.371.06	Polyamide body, Mild steel shaft and cam	Coin Slot	8	4	38	49
8.5.271.09Z/N	Polyamide body, Mild steel shaft and cam	Coin Slot	8	5	16	37
8.5.371.09Z/N	Polyamide body, Mild steel shaft and cam	Coin Slot	8	5	26	37

Rotary Operating Handles

Insulators

Transformer Equipment

Index