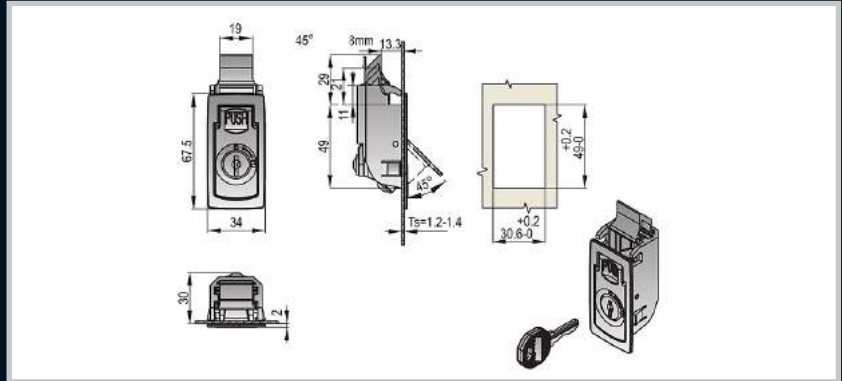
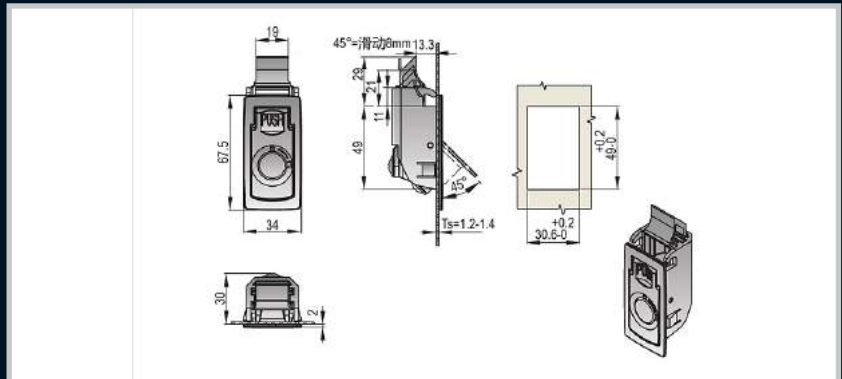


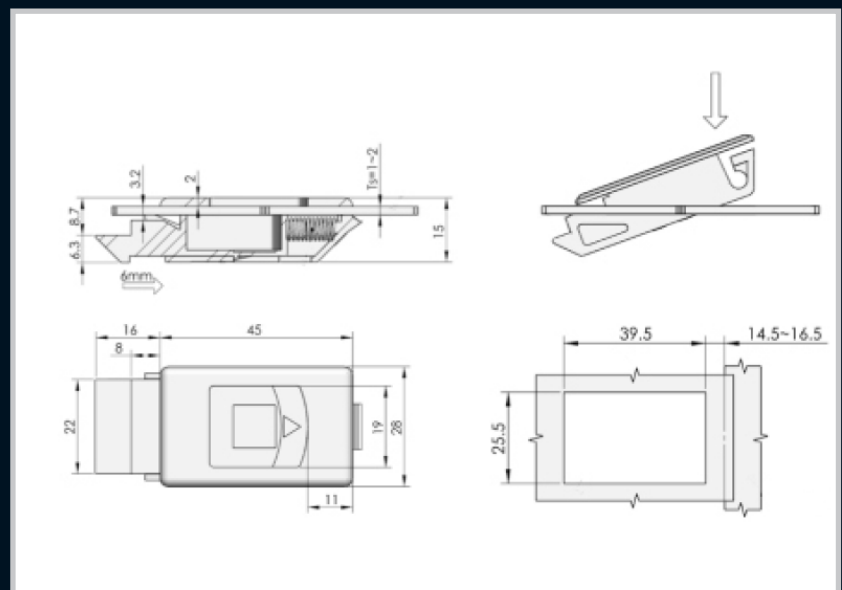
Slam Latches



Part Number	Description
49.10.K	Key locking , Black PA



Part Number	Description
49.00.0	Non locking, Black PA



Part Number	Description	Material and Finish
39.1.3B	Push to close snap-in lock	PA Black

Enclosures

Hinges

Locks

Handles

Accessories

Rotary Operating
Handles

Insulators

Transformer
Equipment

Index

Enclosures

Hinges

Locks

Handles

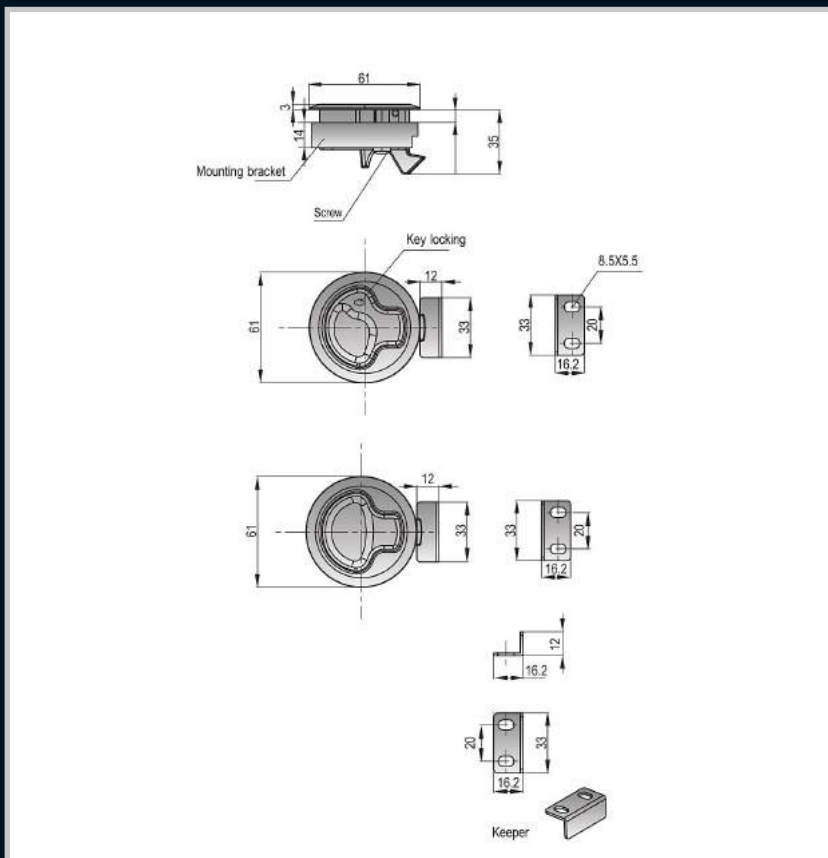
Accessories

Rotary Operating Handles

Insulators

Transformer Equipment

Index



Remarks:

Available in Stainless steel, PA black and grey. For the non locking items, remove the “K” in the product numbers.

Product Number	Description	Panel Thickness
		min - max
61.10.2.SS/K	Key locking, Stainless steel	2-7
61.10.2.PAB/K	Key locking, PA Black	2-7
61.10.2.PAG/K	Key locking, PA Grey	2-7
61.10.7.SS/K	Key locking, Stainless steel	7-12
61.10.7.PAB/K	Key locking, PA Black	7-12
61.10.7.PAG/K	Key locking, PA Grey	7-12
61.10.12.SS/K	Key locking, Stainless steel	12-17
61.10.12.PAB/K	Key locking, PA Black	12-17
61.10.12.PAG/K	Key locking, PA Grey	12-17
61.10.17.SS/K	Key locking, Stainless steel	17-22
61.10.17.PAB/K	Key locking, PA Black	17-22
61.10.17.PAG/K	Key locking, PA Grey	17-22