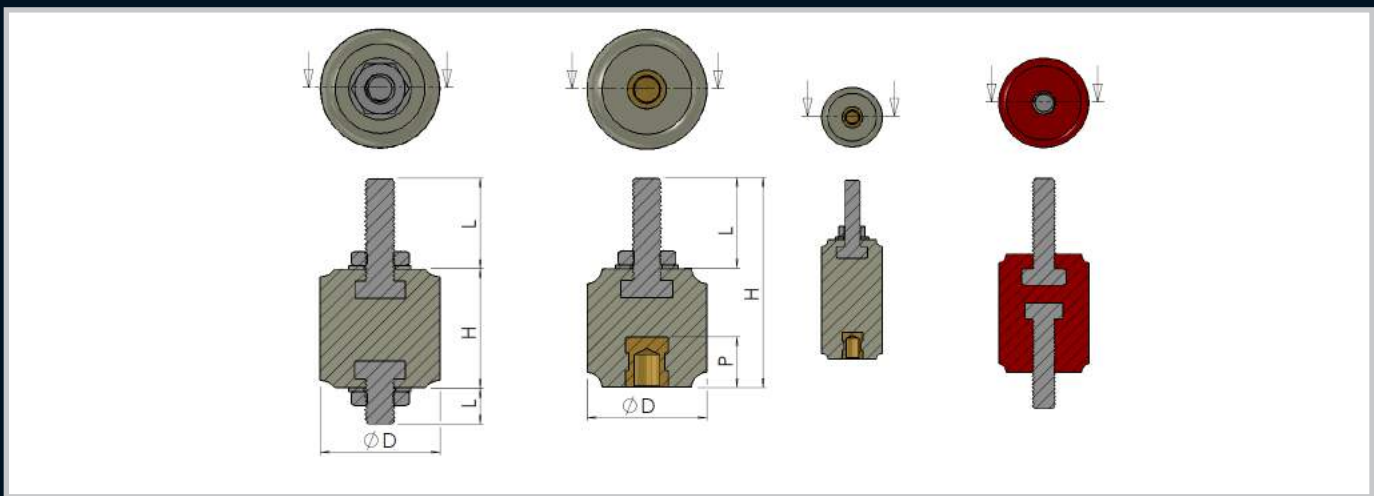


Low Voltage Insulators

SPL - Series



PART NUMBER	TYPE & THREAD SIZE	H	D	P	L	STUD /INSERT	UNIT MASS	STD PACK
050-315	SPL-6/BK	40	20	12	20	M6	26g	50
050-314	SPL-6/BL	40	20	12	20	M6	26g	50
050-313	SPL-6/R	40	20	12	20	M6	26g	50
050-198	SPL-6/W	40	20	12	20	M6	26g	50
050-318	SPL-8BK	40	30	15	25	M8	40g	100
050-317	SPL-8/BL	40	30	15	25	M8	40g	100
050-316	SPL-8/R	40	30	15	25	M8	40g	100
050-199	SPL-8/W	40	30	15	25	M8	40g	100
050-343	SPL-8 S/STEEL WHITE	40	30	15	25	M8	40g	100
050-344	SPL-8 S/STEEL RED	40	30	15	25	M8	40g	100
050-345	SPL-8S/STEEL BLUE	40	30	15	25	M8	40g	100
050-346	SPL-8 S/STEEL BLACK	40	30	15	25	M8	40g	100
050-321	SPL-10/BK	40	30	17	30	M10	80g	100
050-320	SPL-10/BL	40	40	17	30	M10	80g	100
050-319	SPL-10/R	40	40	17	30	M10	80g	100
050-200	SPL-10/W	40	40	17	30	M10	80g	100
050-295	SPL-10S/STEEL RED	40	40	17	30	M10	80g	100
050-296	SPL-10S/STEEL BLUE	40	40	17	30	M10	80g	100
050-297	SPL-10S/STEEL WHITE	40	40	17	30	M10	80g	100
050-304	SPL-10S/STEEL BK	40	40	17	30	M10	80g	100
050-324	SPL-12/BK	50	50/60	16	20/30	M12	190g	50
050-323	SPL-12/BL	50	50/60	16	20/30	M12	190g	50
050-322	SPL-12/R	50	50/60	16	20/30	M12	190g	50
050-201	SPL-12/W	50	50/60	16	20/30	M12	190g	50

Enclosures

Hinges

Locks

Handles

Accessories

Rotary Operating
Handles

Insulators

Transformer
Equipment

Index