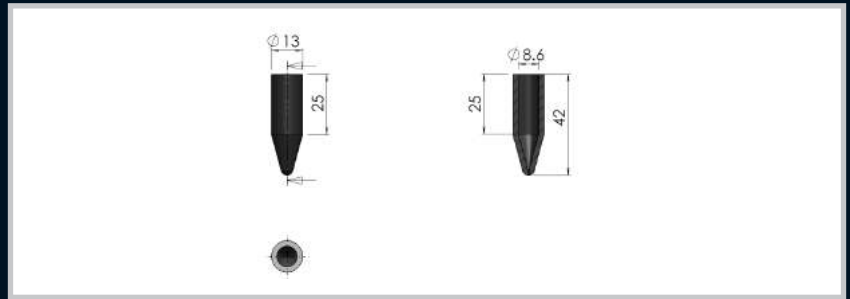


Enclosures

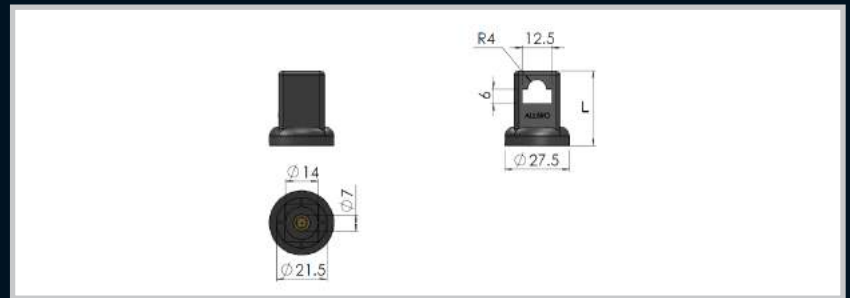
**Rods Accessories**

Hinges



Part Number	Description
1000111	Rod End Tip

Locks



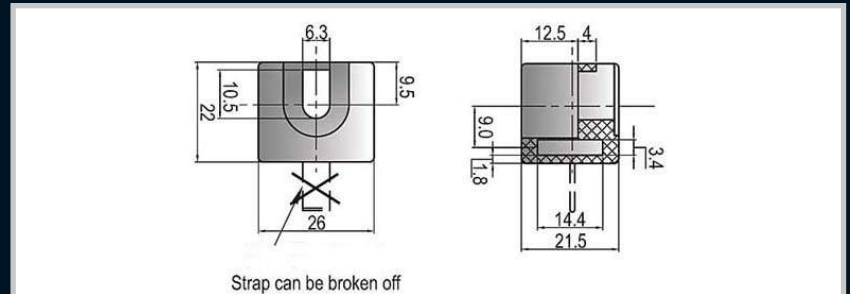
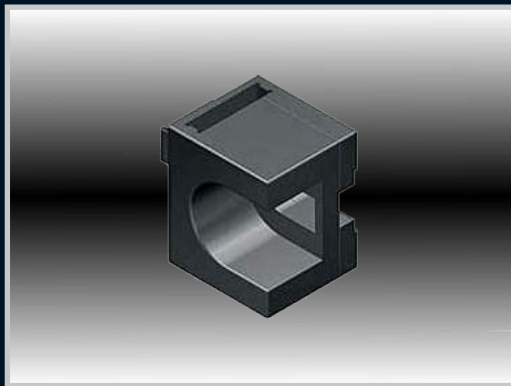
Part Number	Description	L (mm)
1000114	Rod Guide	32
1000114/38	Rod Guide	38

Handles

Accessories

**Remarks:**  
1000114 is a flush mounted guide.  
1000114/38 is recessed mounted.

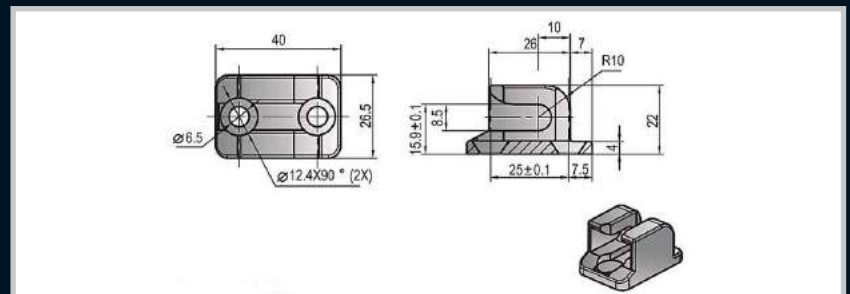
Rotary Operating Handles



Part Number	Description
1000122	Nylon rod guide for flat bar

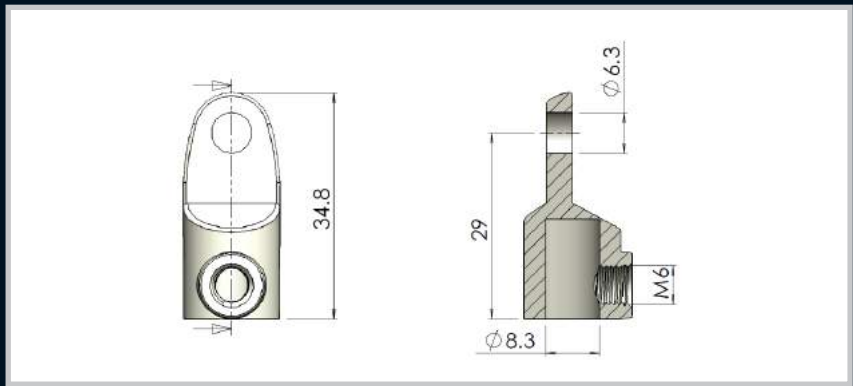
Insulators

Transformer Equipment

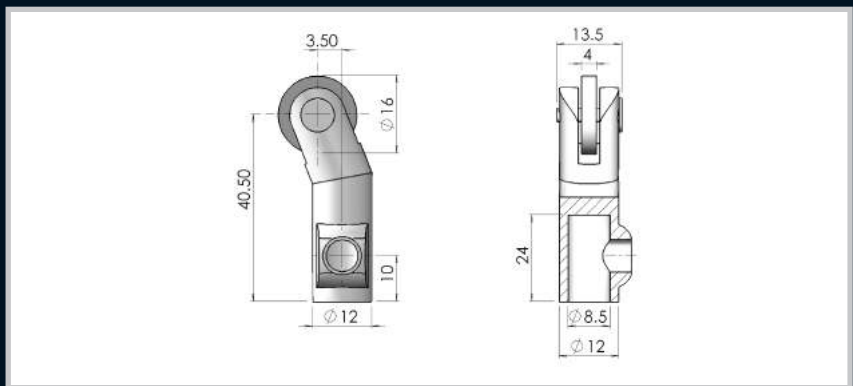
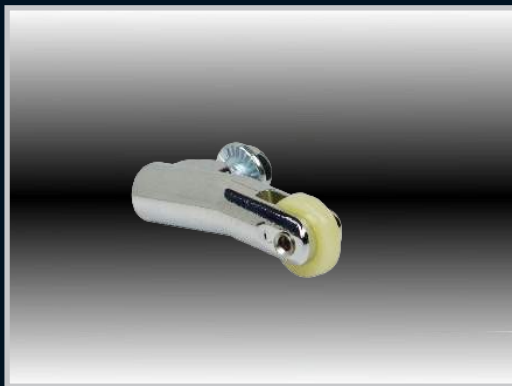


Part Number	Description
1000126	ZDC flat bar locking guide
1000126-R	ZDC flat bar locking guide , raised

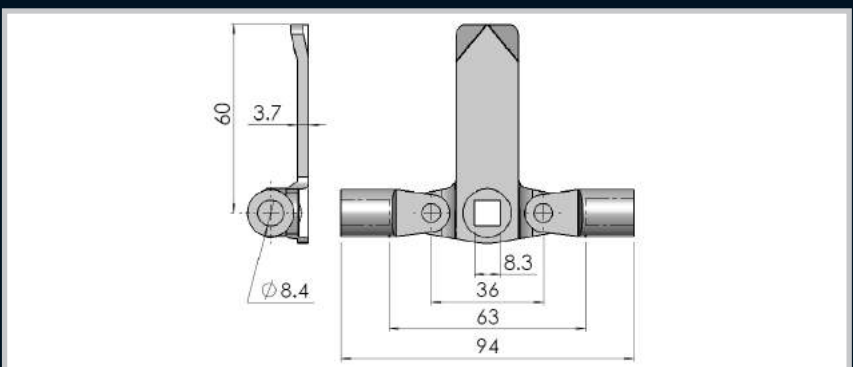
Index



Part Number	Description
017-053	Rod Adaptor



Part Number	Description
A.RG007	Roller Rod End Attachment



Part Number	Material and Finish	Description
CAM08M/S8COMP	Mild steel natural finish	3 point cam with Rod adaptors
CAM08S/S8COMP	Full stainless steel natural finish	3 point cam with Rod adaptors

Enclosures

Hinges

Locks

Handles

Accessories

Rotary Operating Handles

Insulators

Transformer Equipment

Index