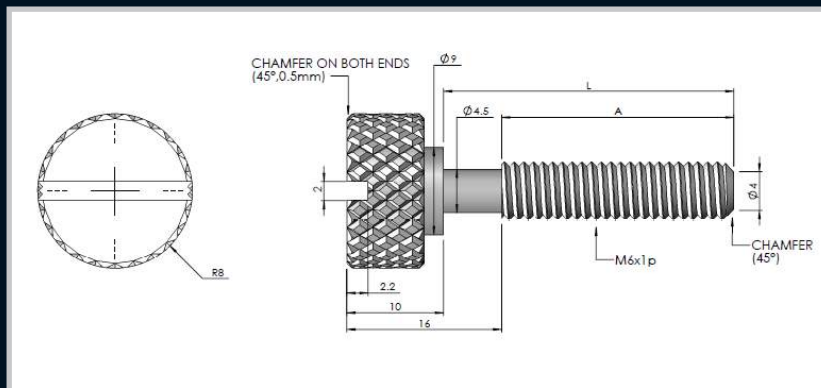
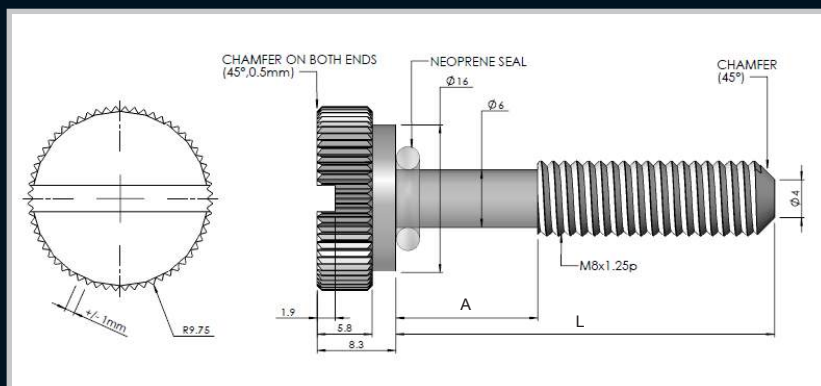


Thumb Screws

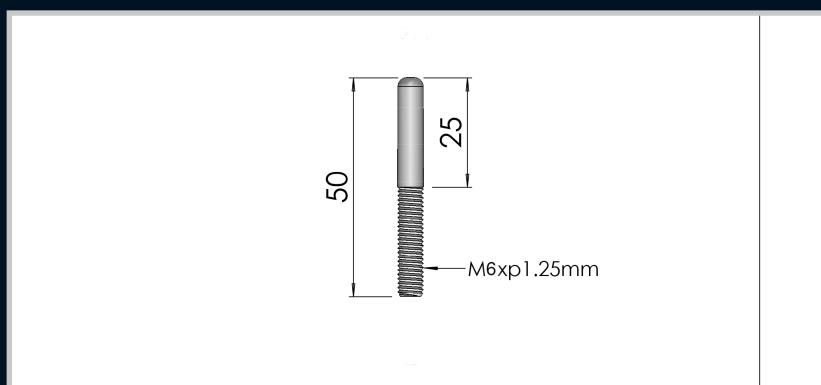


Part Number	Description	L (mm)	A (mm)
004-575	6 mm Brass, Chrome Plated	30	24
004-587	6 mm Brass, Chrome Plated	35	29
004-588	6mm Brass, Chrome Plated	40	34
004-588L	6mm Brass, Chrome Plated (19.5mm Head)	40	34
004-589	6mm Brass, Chrome Plated	50	44
004-589L	6mm Brass, Chrome PLated (19.5mm Head)	50	44



Part Number	Description	L (mm)	A (mm)
004-580/M8TS	M8 x 40mm with O-ring	40	15

Locating Pin



Part Number	Material and Finish	Description
002-111	Brass Chrome Plated	M6 Locating Pin

Enclosures

Hinges

Locks

Handles

Accessories

Rotary Operating Handles

Insulators

Transformer Equipment

Index